

## SLHT36

### Extended PE temperature and humidity sensor

#### User Manual

File Version: V20.11.26



SLHT36 using the standard ,easy access to PLC , DCS and other instruments or systems for monitoring \_11\_15\_20\_21\_25\_30\_31\_35 state quantities.The internal use of high-precision sensing core and related devices to ensure high reliability and excellent long-term stability,can be customized RS232,RS485,CAN,4-20mA,DC0~5V\10V,ZIGBEE,Lora,WIFI,GPRS and other output methods.

## Technical Parameters

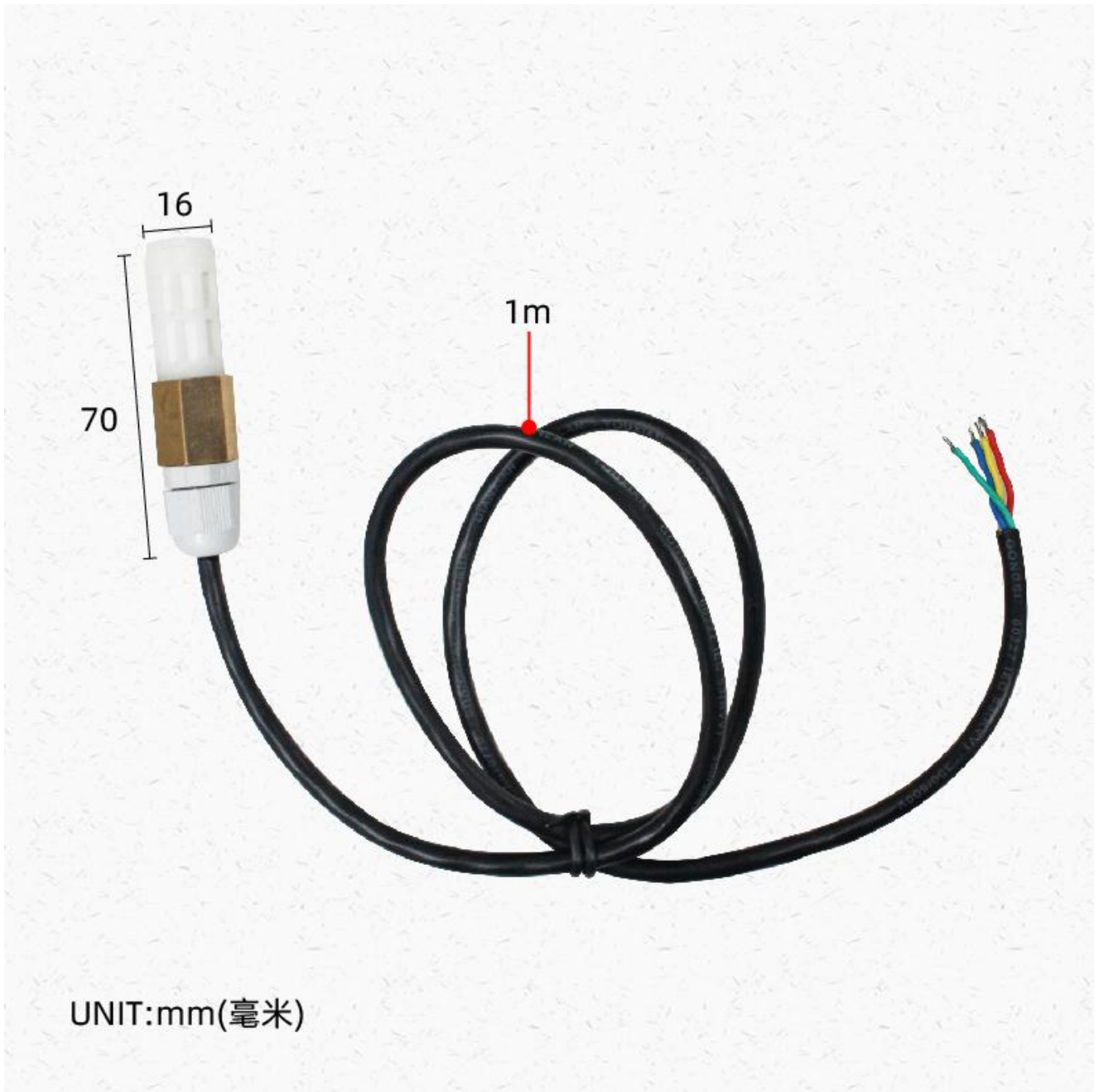
Technical parameter	Parameter value
Brand	SONBEST
Built-in imported chip	SHT10\SHT20\SHT30(optional)
Temperature measurement range	-30°C~80°C
Temperature measurement accuracy	±0.2~0.5°C @25°C
Humidity measurement range	0~100%RH
Humidity Measurement Accuracy	±1.8~4.5%RH @25°C
Power	DC2.4~3.6V

## Product Selection

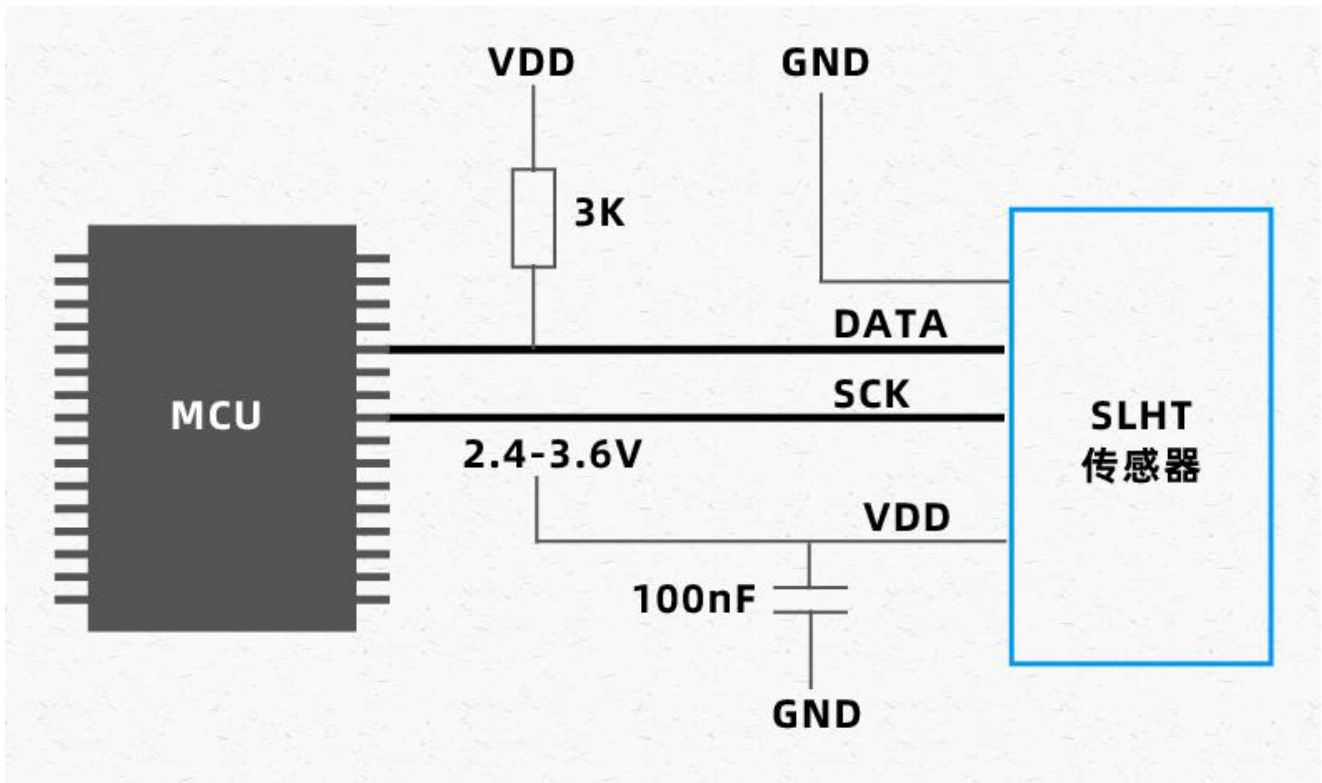
Product Design SLHT series, according to the different models of the built-in imported SHT chip, the products are divided into the following models.

Product model	built-in chip
SLHT36-1	SHT10
SLHT36-2	SHT11
SLHT36-3	SHT15
SLHT36-4	SHT71
SLHT36-5	SHT75
SLHT36-6	SHT20
SLHT36-7	SHT21
SLHT36-8	SHT25
SLHT36-9	SHT30

## Product Size

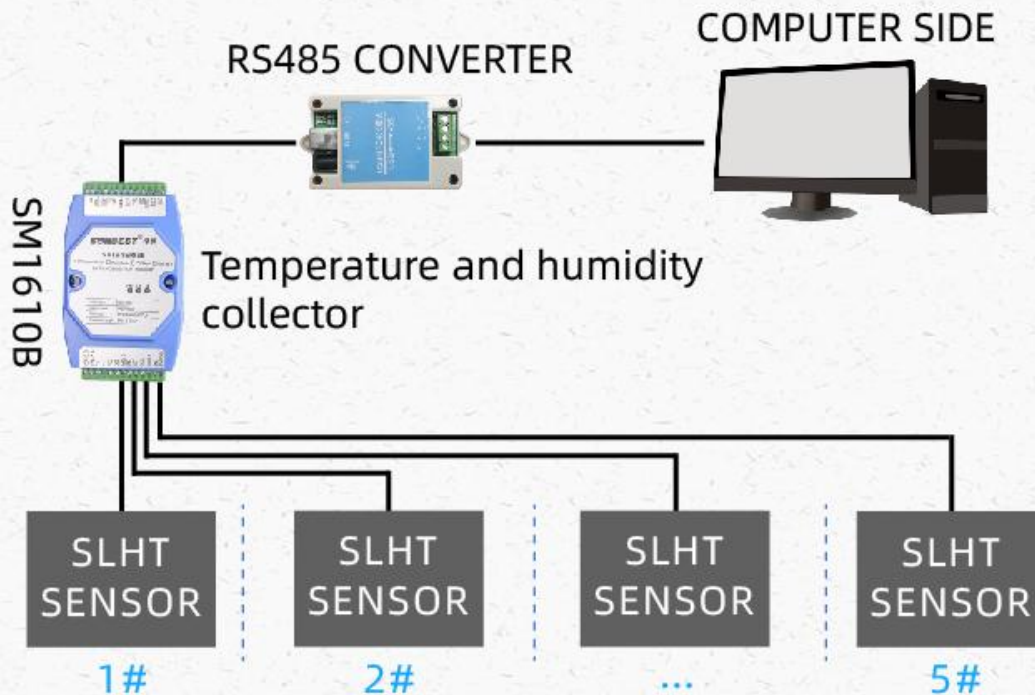


### How to wiring?



How to use?

# NETWORKING AND APPLICATION



Use scheme with temperature and humidity module

## Disclaimer

This document provides all information about the product, does not grant any license to intellectual property, does not express or imply, and prohibits any other means of granting any intellectual property rights, such as the statement of sales terms and conditions of this product, other issues. No liability is assumed. Furthermore, our company makes no warranties, express or implied, regarding the sale and use of this product, including the suitability for the specific use of the product, the marketability or the infringement liability for any patent, copyright or other intellectual property rights, etc. Product specifications and product descriptions may be modified at any time without notice.

## Contact Us

Company: Shanghai Sonbest Industrial Co., Ltd

Address: Building 8, No.215 North east road, Baoshan District, Shanghai, China

Web: <http://www.sonbest.com>

Web: <http://www.sonbus.com>

SKYPE: soobuu

Email: [sale@sonbest.com](mailto:sale@sonbest.com)

Tel: 86-021-51083595 / 66862055 / 66862075 / 66861077

