

## SM1600B

### RS485 bus 160 point DS18B20 temperature acquisition module

#### User Manual

File Version: V21.3.24



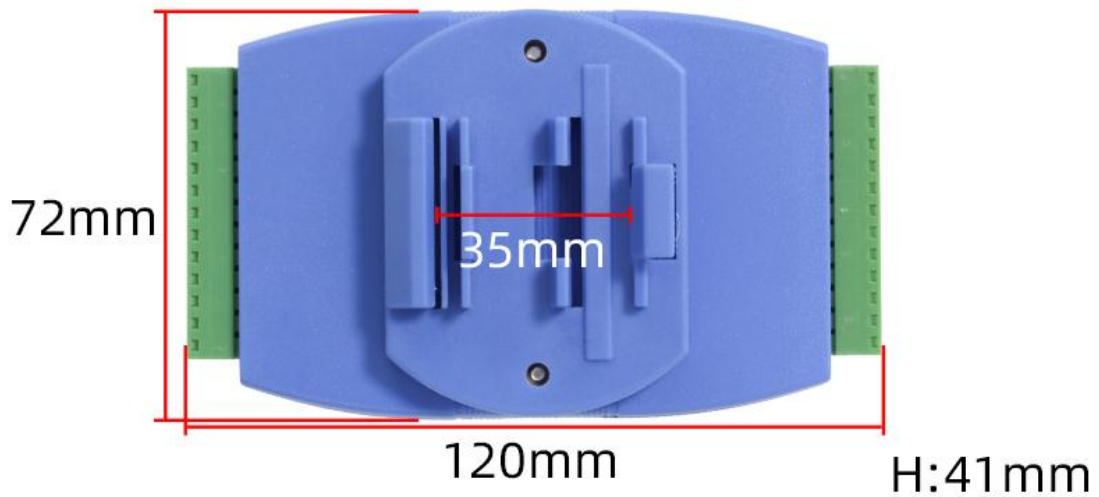
SM1600B using the standard RS485 bus MODBUS-RTU protocol, easy access to PLC, DCS and other instruments or systems for monitoring temperature state quantities. The internal use of high-precision sensing core and related devices to ensure high reliability and excellent long-term stability, can be customized RS232, RS485, CAN, 4-20mA, DC0~5V\10V, ZIGBEE, Lora, WIFI, GPRS and other output methods.

#### Technical Parameters

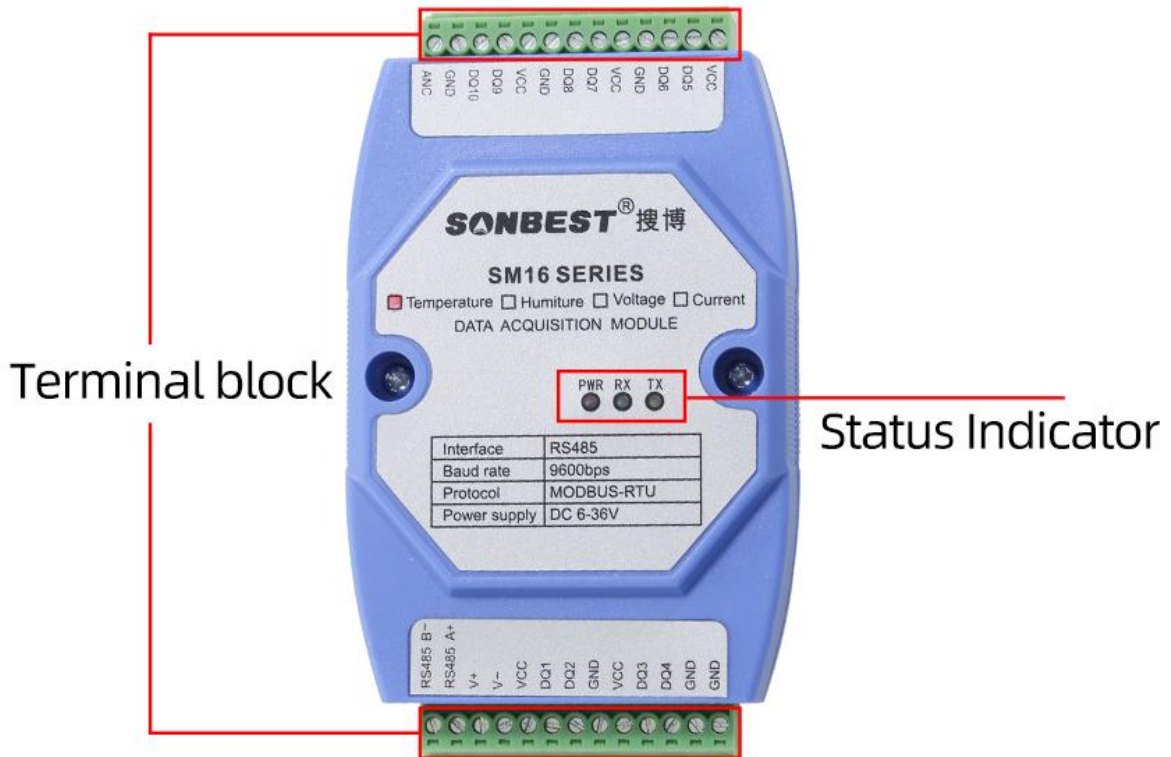
Technical parameter	Parameter value
---------------------	-----------------

Brand	SONBEST
Temperature measuring range	-50°C~120°C
Temperature measuring accuracy	±0.5°C @25°C
Communication Interface	RS485
Default baud rate	9600 8 n 1
Power	DC9~24V 1A
Running temperature	-40~80°C
Working humidity	5%RH~90%RH

**Product Size**



**How to wiring?**



## Sensor wiring

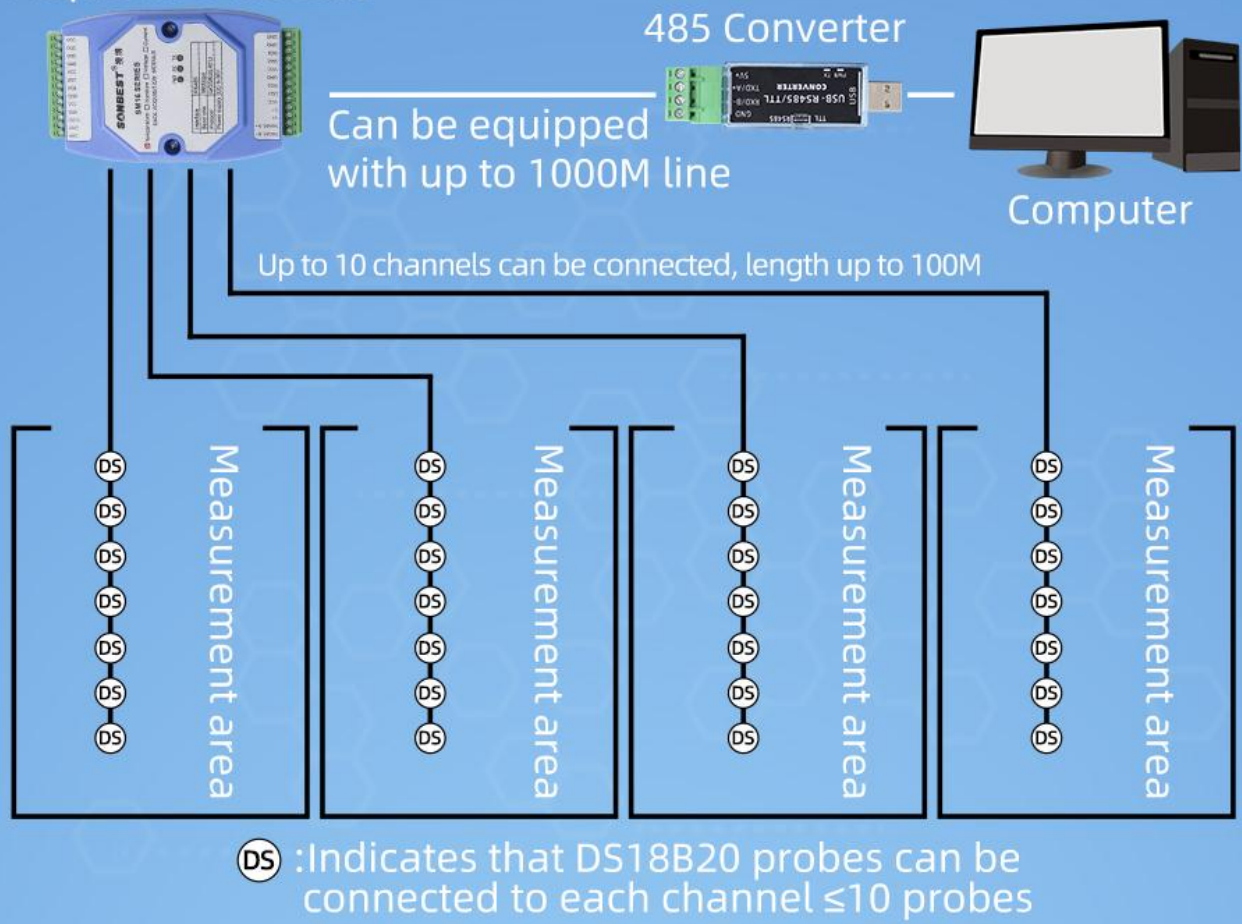
V+	PWR+	VCC	Sensor PWR+
V-	PWR-	DQ	Sensor signal line
A+	RS485 A+	GND	Sensor PWR-
B-	RS485 B-		

※Note: When wiring, the positive and negative poles of the power supply are first connected, and then the signal line

### Application solution

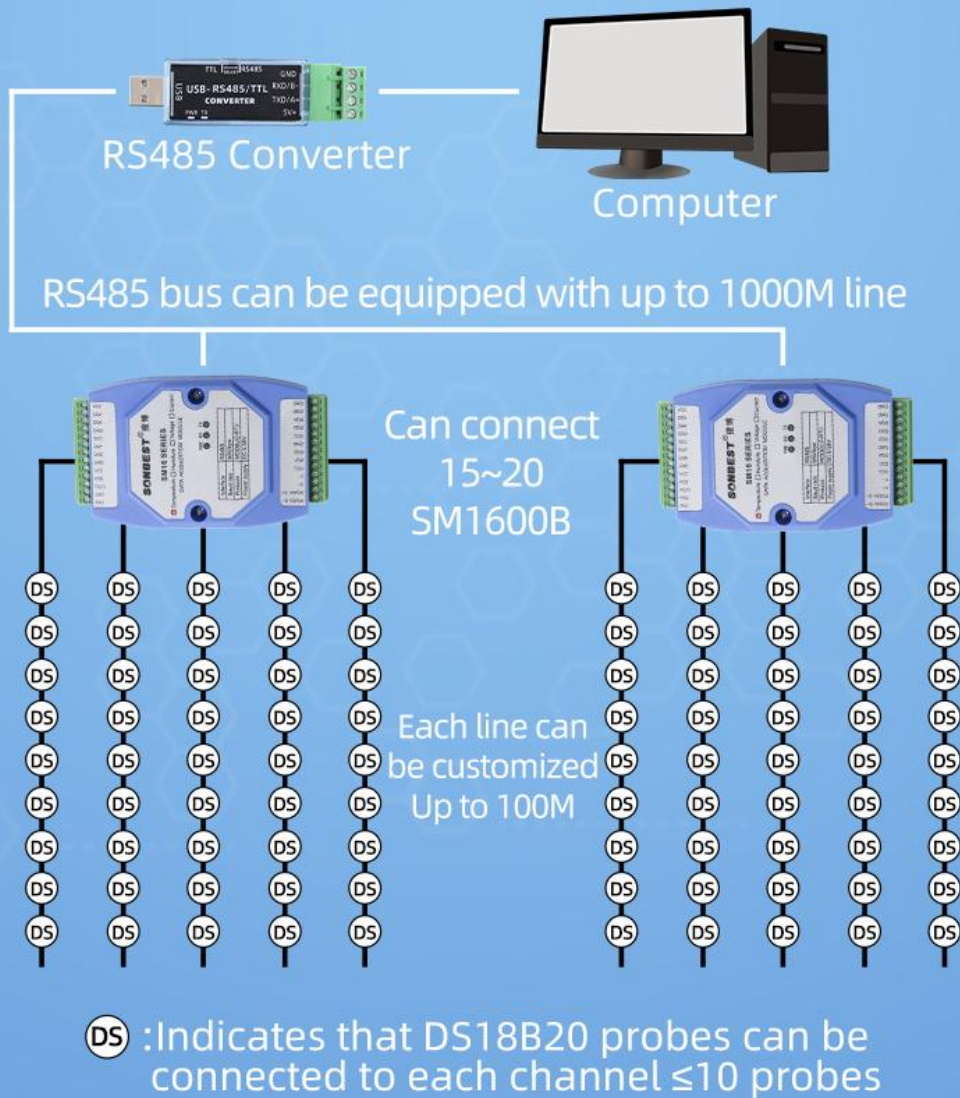
#### ■ SINGLE MODULE APPLICATION SCHEME

Acquisition module





■ MULTI-MODULE APPLICATION SCHEME



**How to use?**



## Communication Protocol Disclaimer

This document provides all information about the product, does not grant any license to intellectual property, does not express or imply, and prohibits any other means of granting any intellectual property rights, such as the statement of sales terms and conditions of this product, other issues. No liability is assumed. Furthermore, our company makes no warranties, express or implied, regarding the sale and use of this product, including the suitability for the specific use of the product, the marketability or the infringement liability for any patent, copyright or other intellectual property rights, etc. Product specifications and product descriptions may be modified at any time without notice.

## Contact Us

Company: Shanghai Sonbest Industrial Co., Ltd

Address: Building 8, No.215 North east road, Baoshan District, Shanghai, China

Web: <http://www.sonbest.com>

Web: <http://www.sonbus.com>

SKYPE: soobuu

Email: [sale@sonbest.com](mailto:sale@sonbest.com)

Tel: 86-021-51083595 / 66862055 / 66862075 / 66861077