

## SM2130M-NOISE

### Current type 4-20mA noise sensor

#### User Manual

File Version: V23.6.19

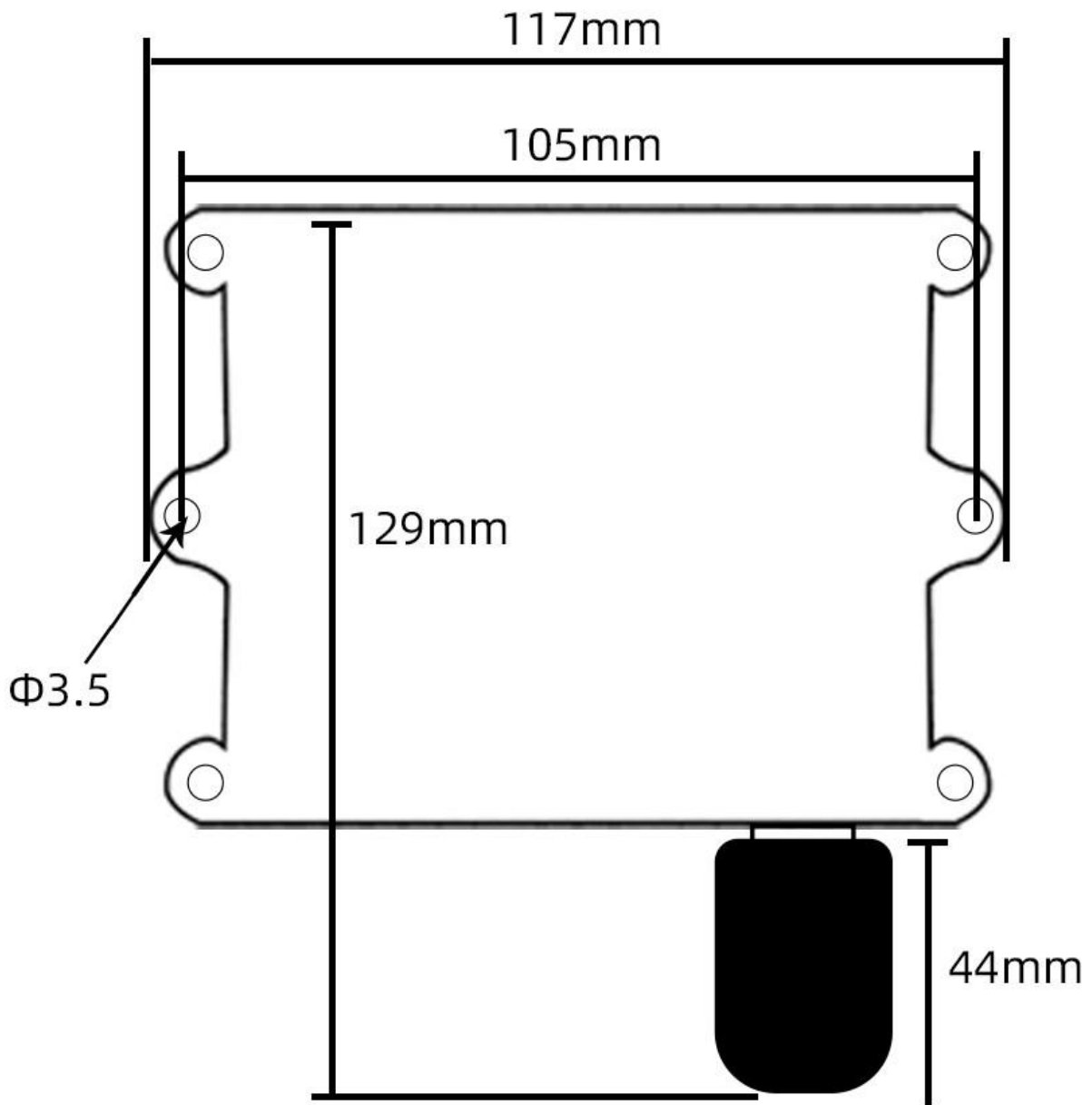


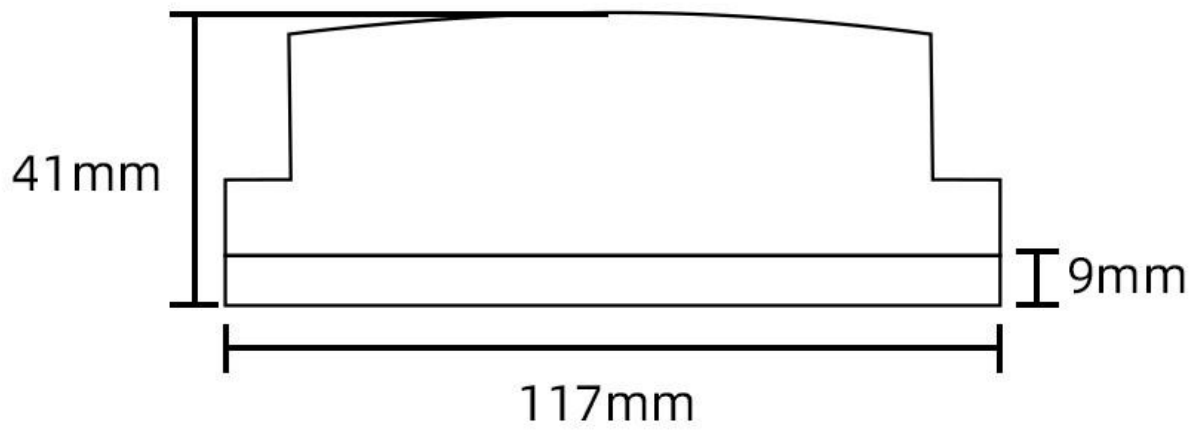
SM2130M-NOISE using the standard DC4-20mA current output signal,easy access to PLC , DCS and other instruments or systems for monitoring noise state quantities.The internal use of high-precision sensing core and related devices to ensure high reliability and excellent long-term stability,can be customized RS232,RS485,CAN,4-20mA,DC0~5V\10V,ZIGBEE,Lora,WIFI,GPRS and other output methods.

**Technical Parameters**

Technical parameter	Parameter value
Brand	SONBEST
Noise range	30~130dB
Noise accuracy	±3%
Communication Interface	DC4~20mA
Power	DC12~24V 1A
Running temperature	-30~85℃
Working humidity	5%RH~90%RH





**Product Size**








# Wiring mode

## RS485 Wiring

	RD	PWR+
	GN	PWR-
	YE	RS485 A+
	BU	RS485 B-

## mA/V Wiring

	RD	PWR+
	BK	PWR-
	BU	mA/V OUT

※Note: When wiring, connect the positive and negative poles of the power supply first, and then connect the signal wire

### Wiring instructions

In the case of broken wires, wire the wires as shown in the figure. If the product itself has no leads, the core color is for reference.

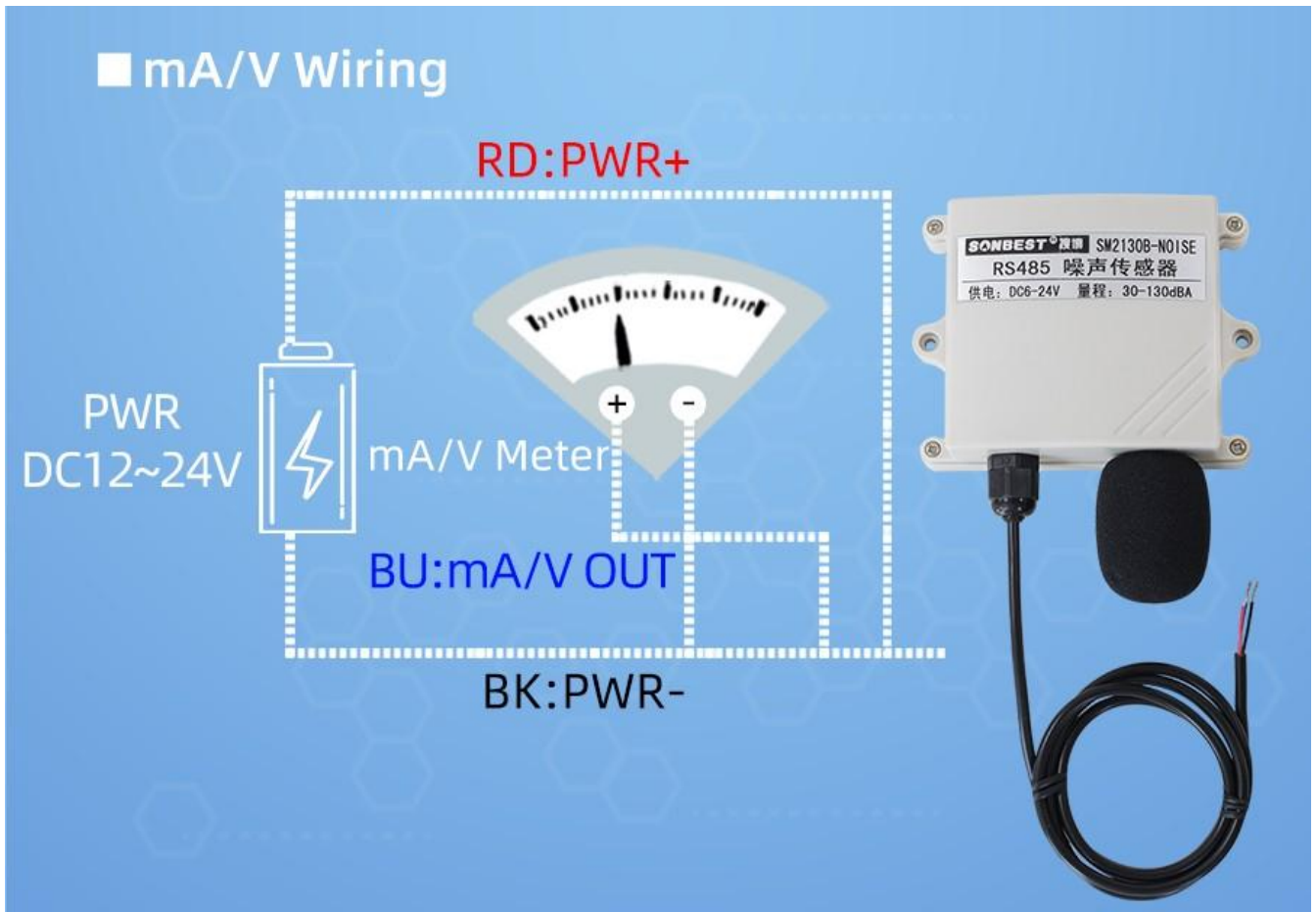
### How to use?

It is mainly used for on-site real-time measurement of various types of noise such as environmental noise, traffic noise, workplace noise, construction noise, and social life noise



**Application solution**





**Product List**



**Noise sensor**  
(no power supply, no converter)  
(Shipped according to user selection)



**Reminder card**



**Certificate**

### Disclaimer

This document provides all information about the product, does not grant any license to intellectual property, does not express or imply, and prohibits any other means of granting any intellectual property rights, such as the statement of sales terms and conditions of this product, other issues. No liability is assumed. Furthermore, our company makes no warranties, express or implied, regarding the sale and use of this product, including the suitability for the specific use of the product, the marketability or the infringement liability for any patent, copyright or other intellectual property rights, etc. Product specifications and product descriptions may be modified at any time without notice.

### Contact Us

Company: Shanghai Sonbest Industrial Co., Ltd

Address: Building 8, No.215 North east road, Baoshan District, Shanghai, China

Web: <http://www.sonbest.com>

Web: <http://www.sonbus.com>

SKYPE: soobuu

Email: [sale@sonbest.com](mailto:sale@sonbest.com)

Tel: 86-021-51083595 / 66862055 / 66862075 / 66861077