

SM3568M

4-20mA current type irradiance sensor

User Manual

File Version: V23.7.1

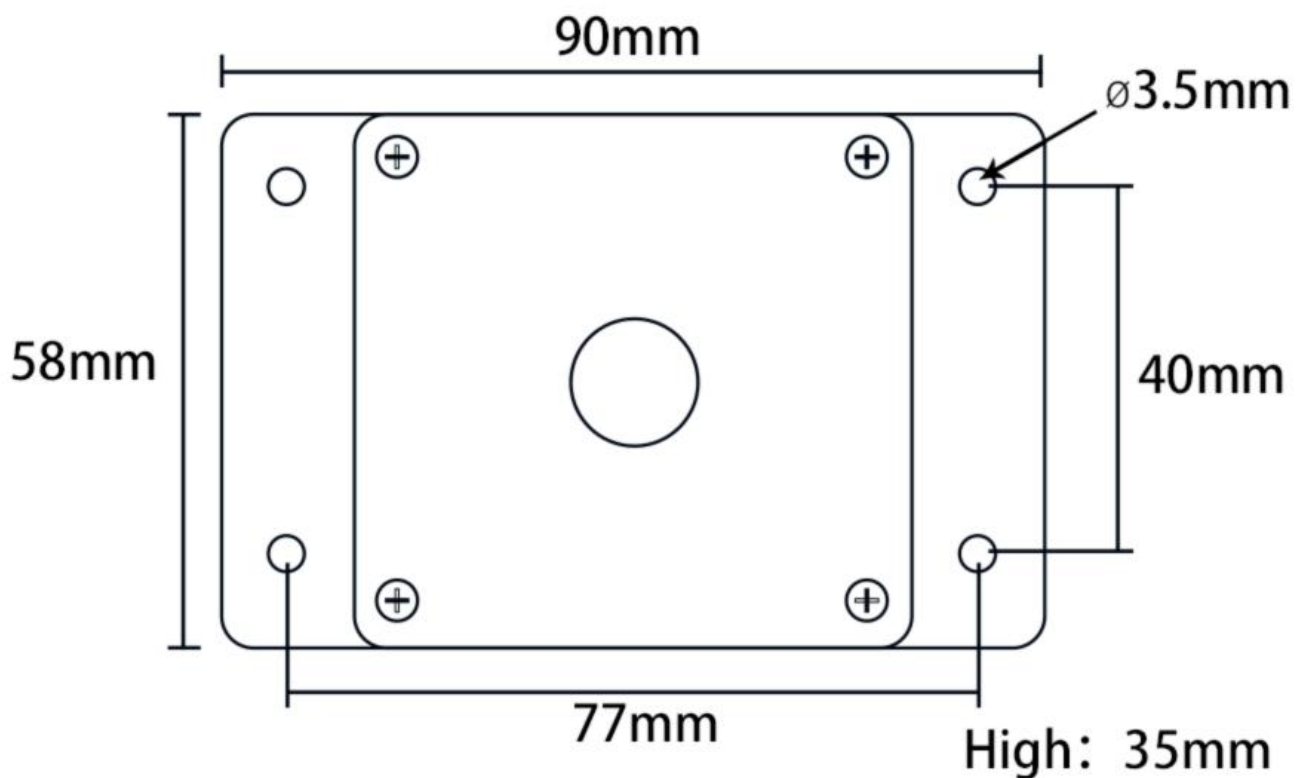


SM3568M using the standard DC4-20mA current output signal, easy access to PLC, DCS and other instruments or systems for monitoring Radioactivity state quantities. The internal use of high-precision sensing core and related devices to ensure high reliability and excellent long-term stability, can be customized RS232, RS485, CAN, 4-20mA, DC0~5V\10V, ZIGBEE, Lora, WIFI, GPRS and other output methods.

Technical Parameters

Technical parameter	Parameter value
Brand	SONBEST
Radioactivity measuring range	0~2000W/M2
Radioactivity allow deviation	± 7%
Repeatability test	± 5%
Radioactivity detection chip	Import digital
Wavelength range	380nm~730nm
Communication Interface	DC4~20mA
Power	DC12~24V 1A
Running temperature	-30~85℃
Working humidity	5%RH~90%RH

Product Size



Wiring instructions

In the case of broken wires, wire the wires as shown in the figure. If the product itself has no leads, the core color is for reference.

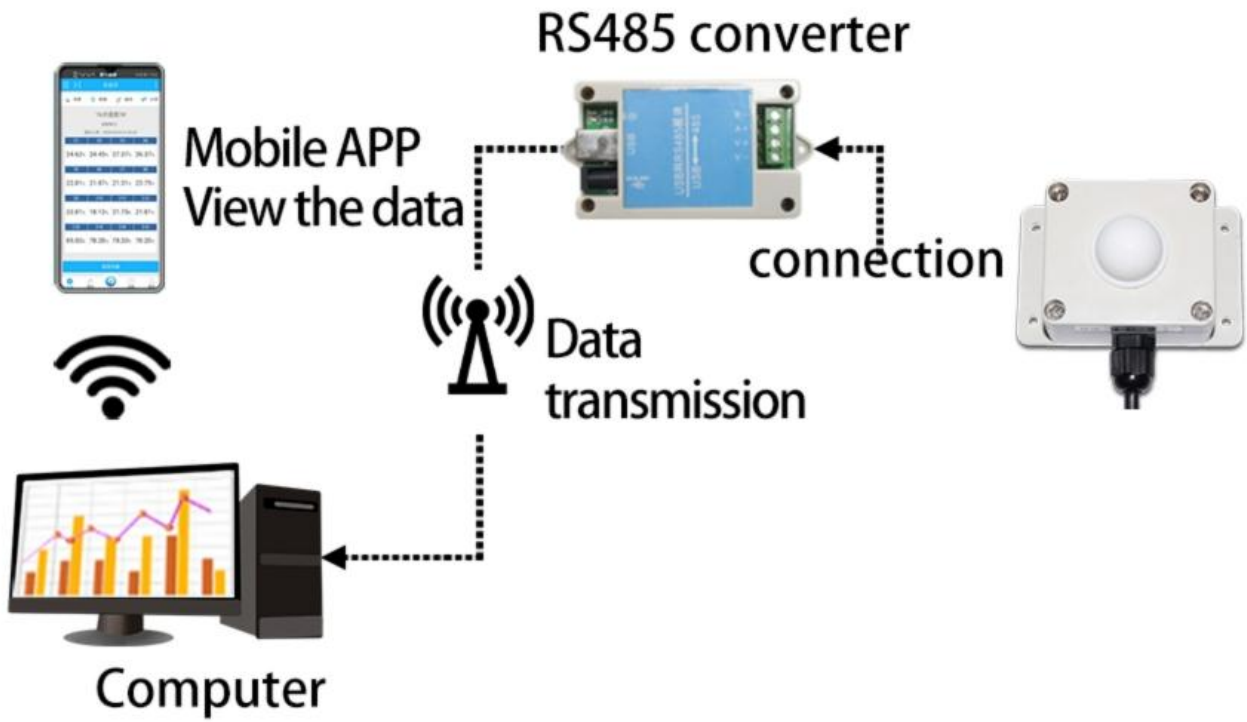
How to use?

Illuminance sensor can be widely used for real-time monitoring, wide range of application, efficient detection, stable and reliable, widely used in agriculture, forestry, greenhouse cultivation, breeding, building light measurement and research

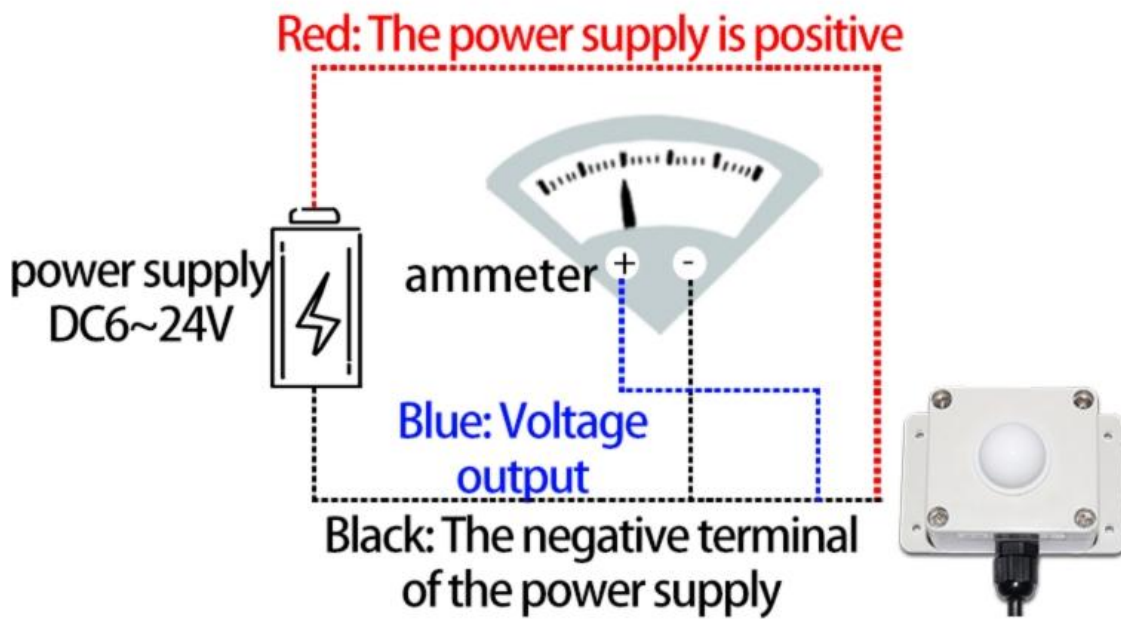


Application solution

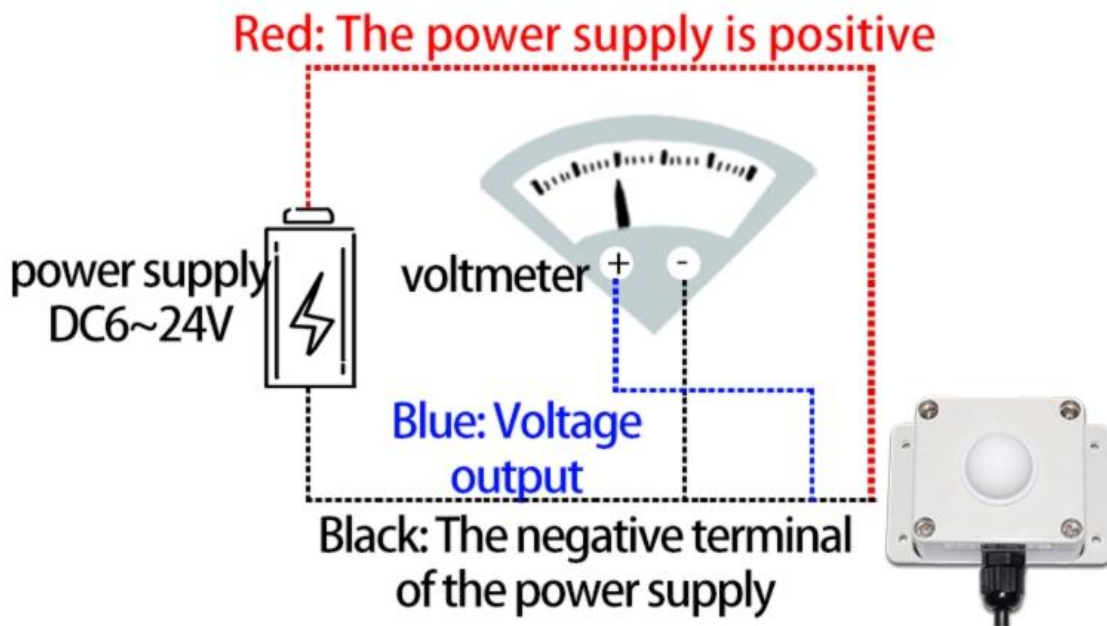
■ RS485 wiring method



■ Current wiring method



■ Voltage wiring method



Product List



Illuminance sensor (without power)
(Shipped according to user selection)



Reminder card



Certificate

Disclaimer

This document provides all information about the product, does not grant any license to intellectual property, does not express or imply, and prohibits any other means of granting any intellectual property rights, such as the statement of sales terms and conditions of this product, other issues. No liability is assumed. Furthermore, our company makes no warranties, express or implied, regarding the sale and use of this product, including the suitability for the specific use of the product, the marketability or the infringement liability for any patent, copyright or other intellectual property rights, etc. Product specifications and product descriptions may be modified at any time without notice.

Contact Us

Company: Shanghai Sonbest Industrial Co., Ltd

Address: Building 8, No.215 North east road, Baoshan District, Shanghai, China

Web: <http://www.sonbest.com>

Web: <http://www.sonbus.com>

SKYPE: soobuu

Email: sale@sonbest.com

Tel: 86-021-51083595 / 66862055 / 66862075 / 66861077