

SZ3395

ZIGBEE wireless carbon dioxide, illuminance, temperature, humidity, atmospheric pressure integrated sensor

User Manual

File Version: V23.8.18



SZ3395 using the standard ZIGBEE Wireless Communication Interface,easy access to PLC , DCS and other instruments or systems for monitoring carbon dioxide,Illuminance,temperature,humidity,atmospheric pressure state quantities.The internal use of

high-precision sensing core and related devices to ensure high reliability and excellent long-term stability, can be customized RS232, RS485, CAN, 4-20mA, DC0~5V/10V, ZIGBEE, Lora, WIFI, GPRS and other output methods.

Technical Parameters

Technical parameter	Parameter value
Brand	SONBEST
CO2 range	0~5000ppm
CO2 accuracy	±100ppm
Illuminance measuring range	0~65535Lux
Illuminance allow deviation	±7%
Repeatability test	±5%
Illuminance detection chip	Import digital
Wavelength range	380nm~730nm
Temperature measuring range	-30°C~80°C
Temperature measuring accuracy	±0.5°C @25°C
Humidity measuring range	0~100%RH
Humidity accuracy	±3%RH @25°C
Atmospheric pressure range	30~110kpa
Atmospheric pressure accuracy	±0.5%
Communication Interface	ZIGBEE
Radio frequency	2.4G ISM
Network Type	Star network
Network capacity	65535
Power	DC9~24V 1A
Dimensions	Φ28.5mm×127mm

Wiring instructions

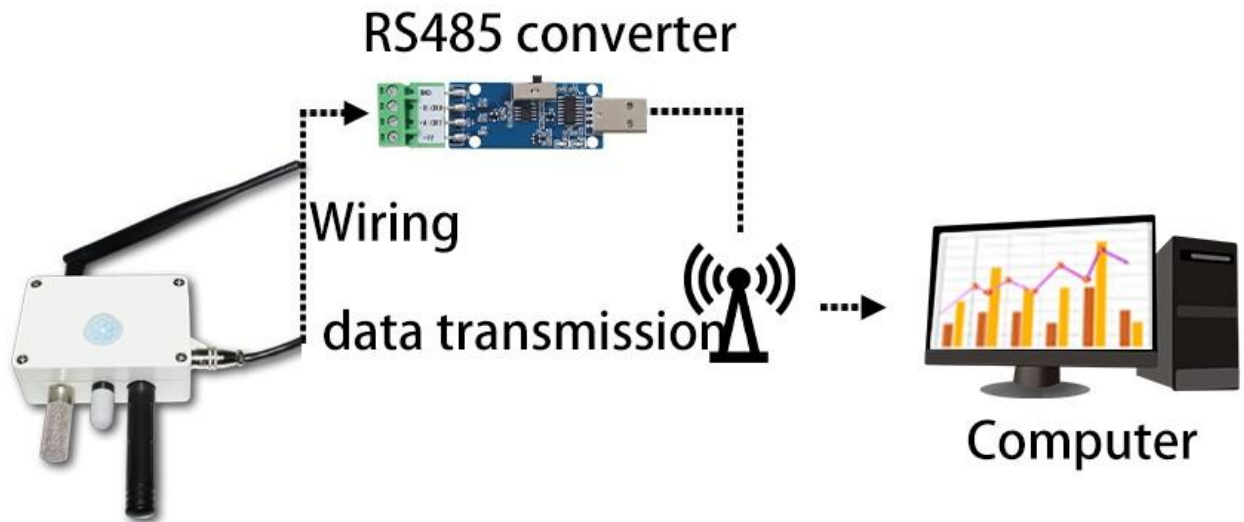
In the case of broken wires, wire the wires as shown in the figure. If the product itself has no leads, the core color is for reference.

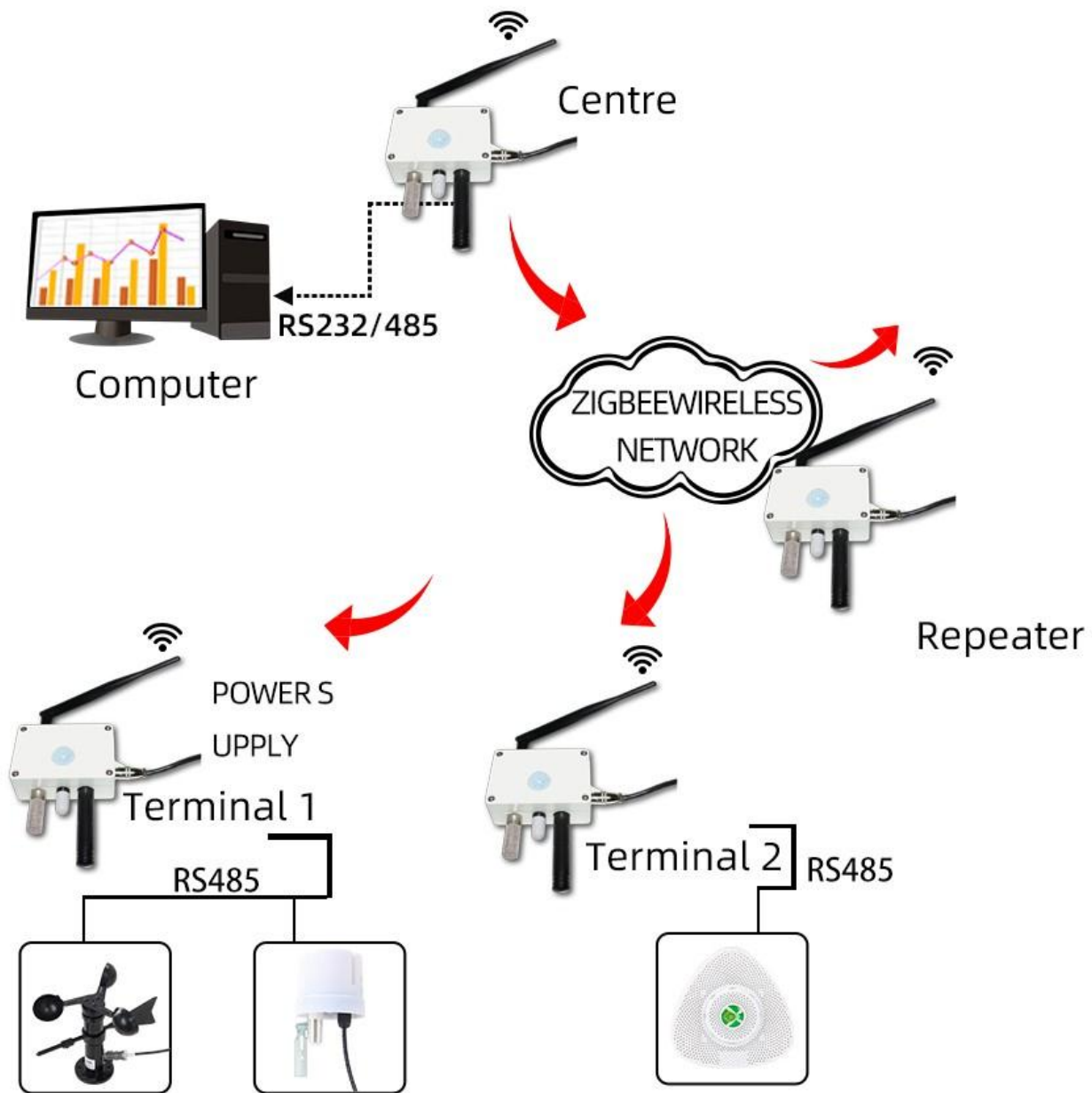
How to use?

每天都会实时监控，适用范围广，广泛应用于农业、林业、温室大棚培育、养殖、环境测量及研究



Application solution





Note: 1. The center and terminal are of the same model, and the transmission is transparent. 2. Repeater only for signal enhancement, power on, do not connect RS485 peripherals 3. The communication distance is greatly affected by the environment. It is suggested that communication test should be carried out during the distribution

Product List



ZIGBEE wireless carbon dioxide, illuminance, temperature
Integrated sensor for humidity and atmospheric pressure



Reminder card



Certificate

Disclaimer

This document provides all information about the product, does not grant any license to intellectual property, does not express or imply, and prohibits any other means of granting any intellectual property rights, such as the statement of sales terms and conditions of this product, other issues. No liability is assumed. Furthermore, our company makes no warranties, express or implied, regarding the sale and use of this product, including the suitability for the specific use of the product, the marketability or the infringement liability for any patent, copyright or other intellectual property rights, etc. Product specifications and product descriptions may be modified at any time without notice.

Contact Us

Company: Shanghai Sonbest Industrial Co., Ltd

Address: Building 8, No.215 North east road, Baoshan District, Shanghai, China

Web: <http://www.sonbest.com>

Web: <http://www.sonbus.com>

SKYPE: soobuu

Email: sale@sonbest.com

Tel: 86-021-51083595 / 66862055 / 66862075 / 66861077