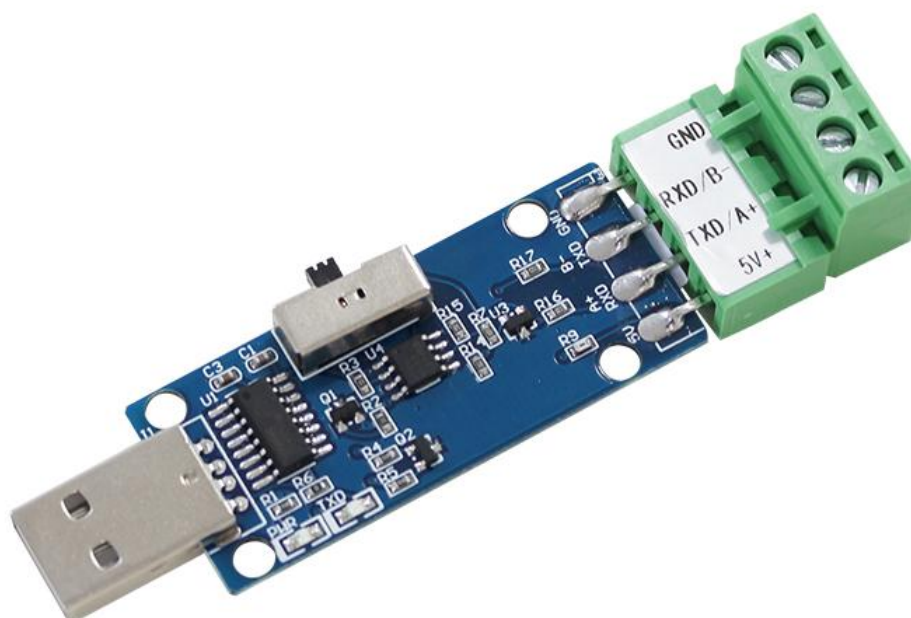


HD811

Industrial grade USB to RS485 or TTL converter

User Manual

File Version: V21.7.13



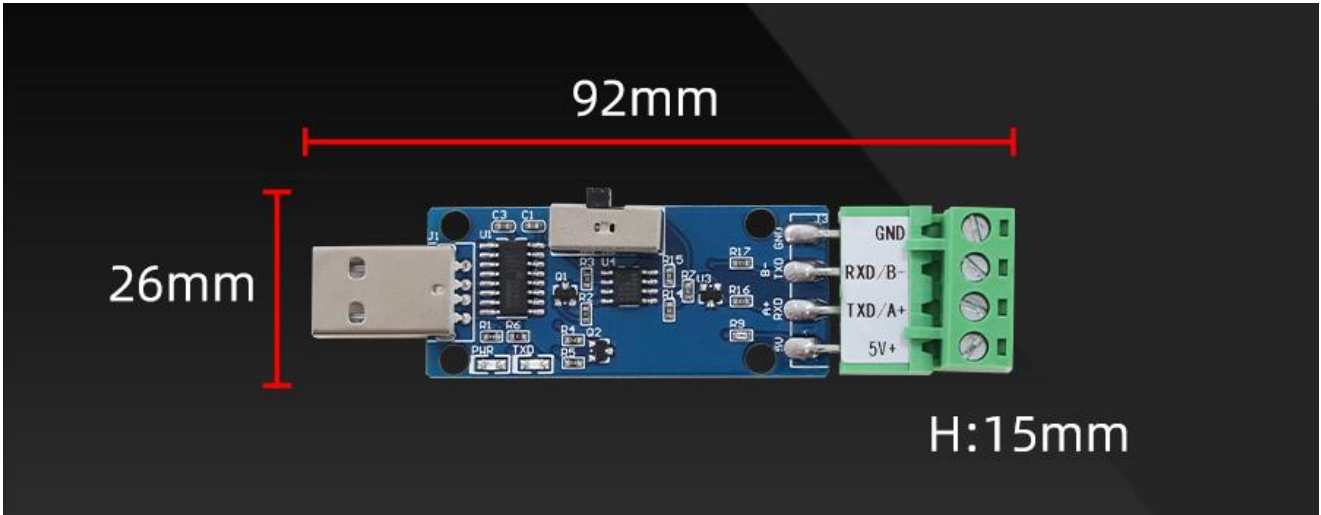
HD811 using the standard USB, easy access to PLC, DCS and other instruments or systems for monitoring RS485, TTL state quantities. The internal use of high-precision sensing core and related devices to ensure high reliability and excellent long-term stability, can be customized RS232, RS485, CAN, 4-20mA, DC0~5V\10V, ZIGBEE, Lora, WIFI, GPRS and other output methods.

Technical Parameters

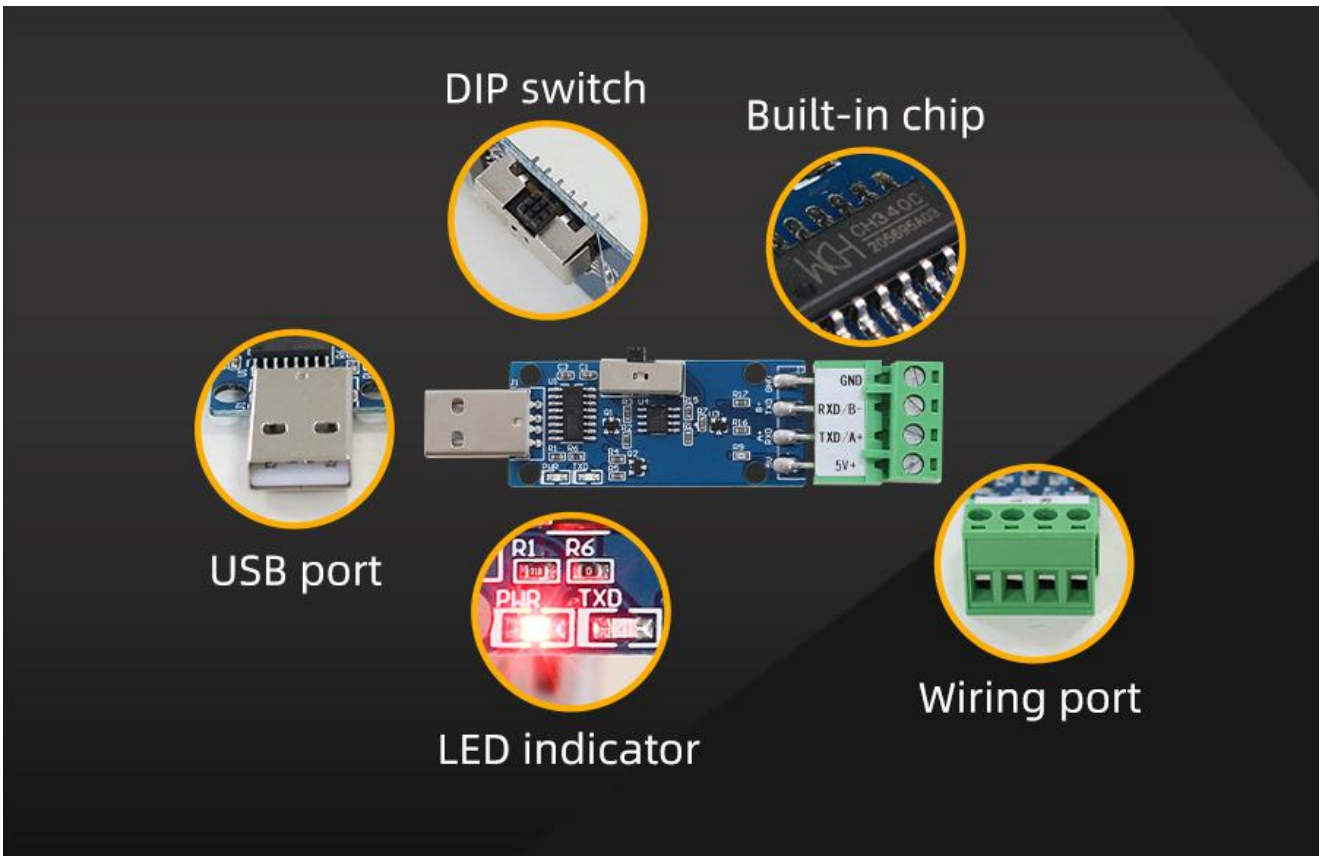
Technical parameter	Parameter value
Input interface	TTL or RS485

Communication Interface	USB
Support baud rate	2400-115200
USB Power	DC5V
Running temperature	-40~80°C
Working humidity	5%RH~90%RH

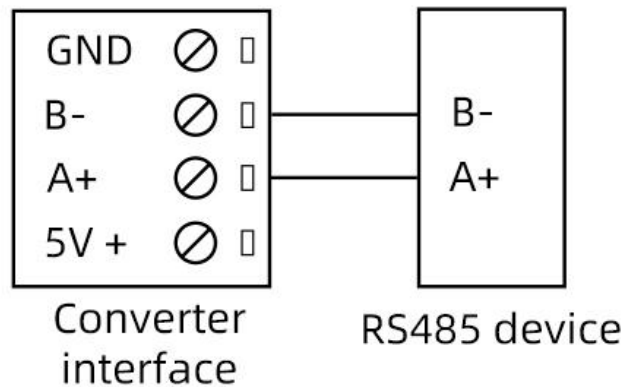
Product Size



How to wiring?

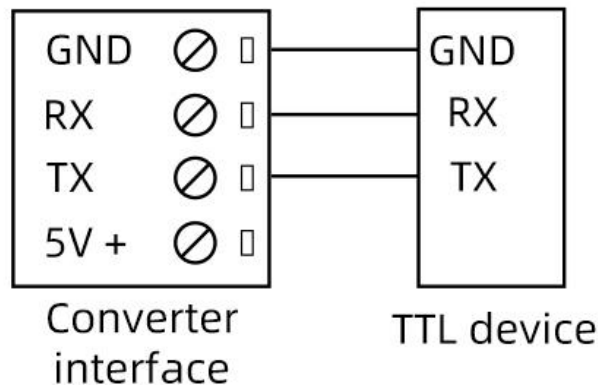


RS485 WIRING



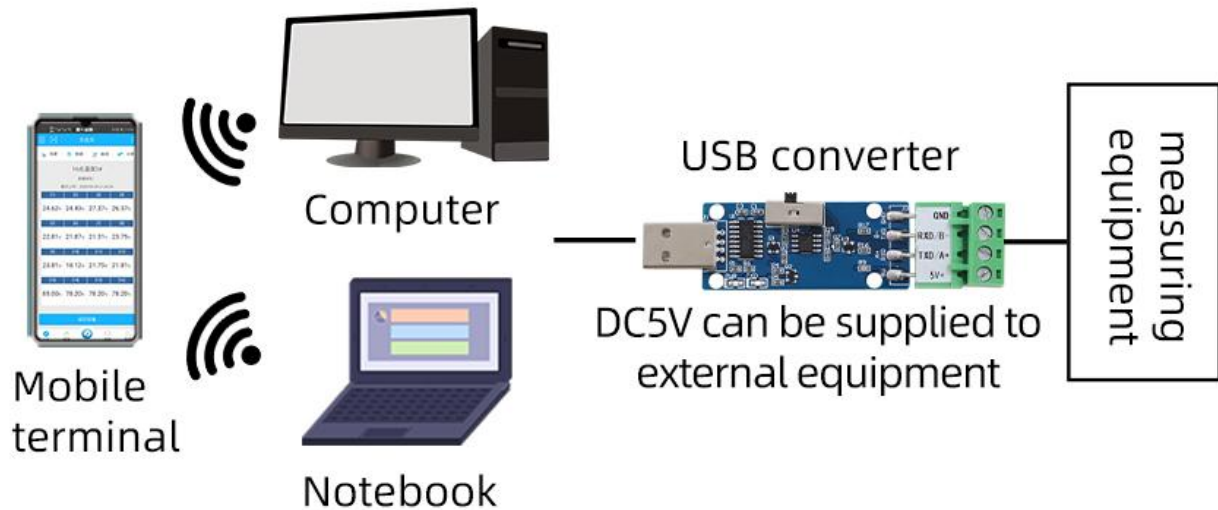
Note: When the power supply of the user equipment is DC5V, the converter can directly supply power to the user equipment, GND is the negative pole of the power supply, and 5V is the positive pole of the power supply. It can only supply power to devices with a power supply of 5V

TTL WIRING METHOD



Note: When the power supply of the user equipment is DC5V, the converter can directly supply power to the user equipment, GND is the negative pole of the power supply, and 5V is the positive pole of the power supply. You can only supply power to devices with a power supply of 5V.

Application solution



Disclaimer

This document provides all information about the product, does not grant any license to intellectual property, does not express or imply, and prohibits any other means of granting any intellectual property rights, such as the statement of sales terms and conditions of this product, other issues. No liability is assumed. Furthermore, our company makes no warranties, express or implied, regarding the sale and use of this product, including the suitability for the specific use of the product, the marketability or the infringement liability for any patent, copyright or other intellectual property rights, etc. Product specifications and product descriptions may be modified at any time without notice.

Contact Us

Company: Shanghai Sonbest Industrial Co., Ltd TRANBALL Brand Division
Address: Building 8, No. 215 North east road, Baoshan District, Shanghai, China
Web: <http://www.hitdo.com>
Web: <http://www.hitdo.com>
SKYPE: soobuu
Email: sale@sonbest.com
Tel: 86-021-51083595 / 66862055 / 66862075 / 66861077