

HD812

User Manual

File Version: V21.7.13



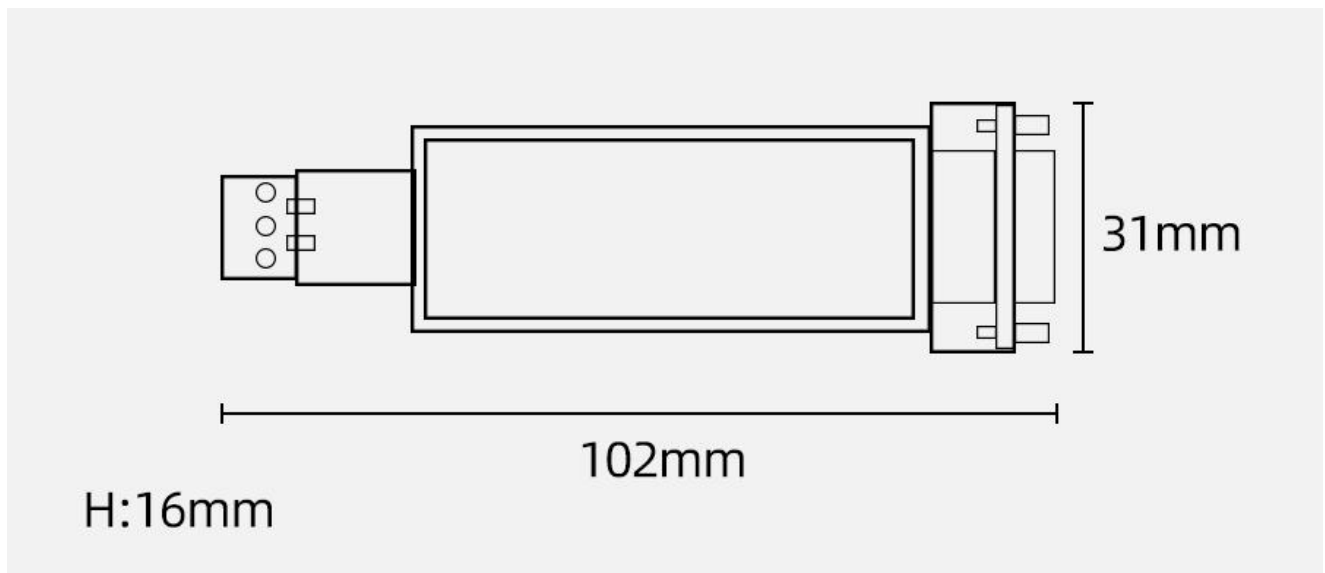
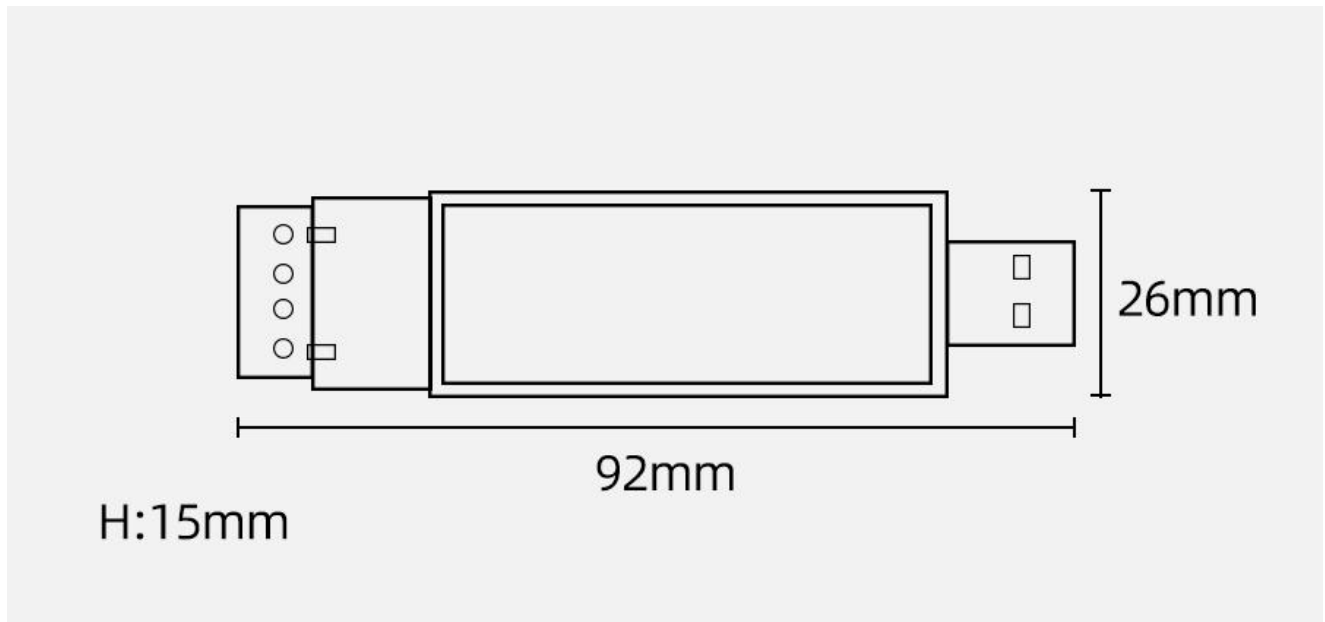
HD812 using the standard USB, easy access to PLC, DCS and other instruments or systems for monitoring RS485, TTL state quantities. The internal use of high-precision sensing core and related devices to ensure high reliability and excellent long-term stability, can be customized

RS232,RS485,CAN,4-20mA,DC0~5V\10V,ZIGBEE,Lora,WIFI,GPRS and other output methods.

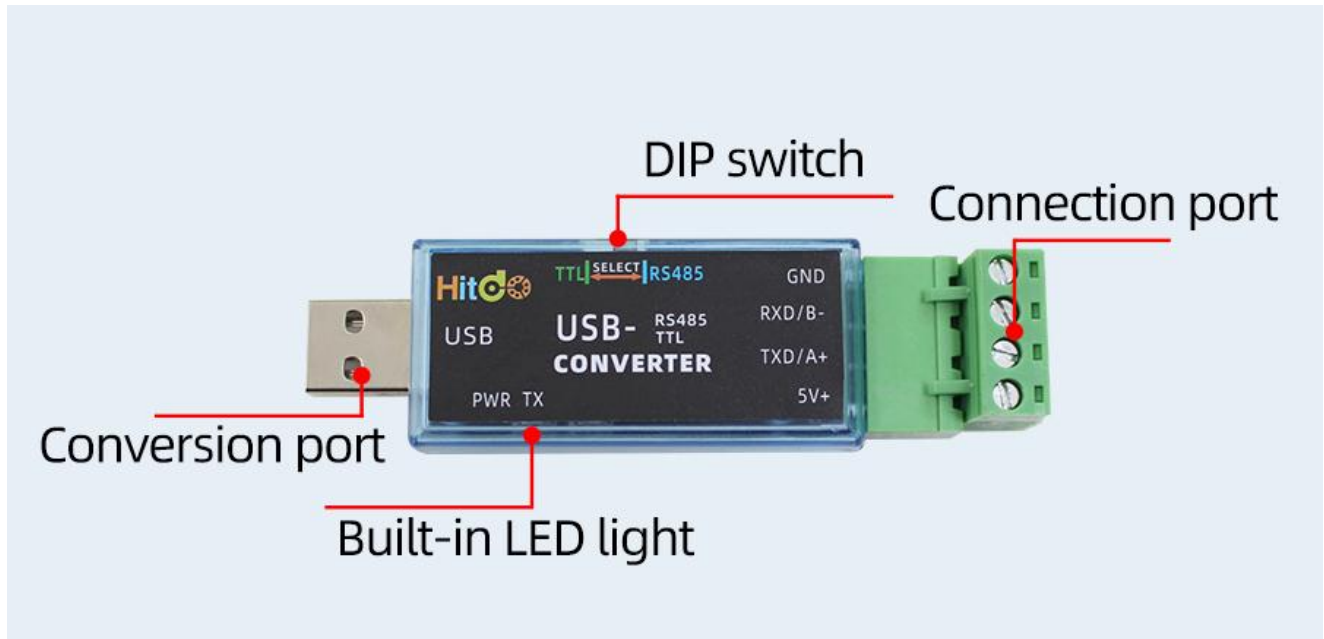
Technical Parameters

Technical parameter	Parameter value
RS485	A+ B-
Communication Interface	USB
Default baud rate	9600 8 n 1
Power	DC5V 1A
Running temperature	-40~80°C
Working humidity	5%RH~90%RH

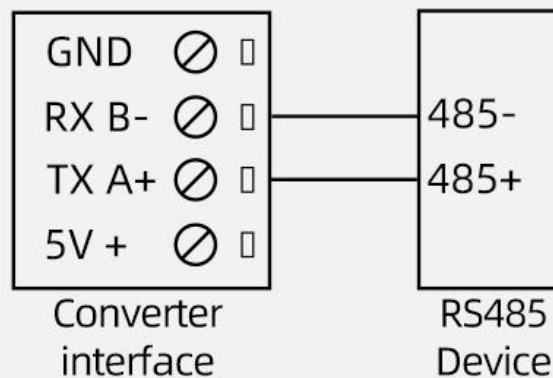
Product Size



How to wiring?

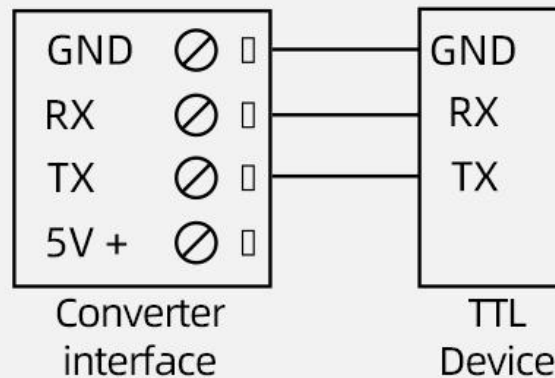


RS485 Wiring



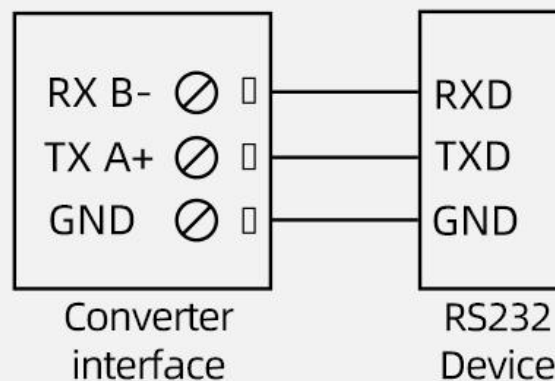
Note: The switch goes to 485. When the power supply of the user equipment is DC5V, the converter can directly supply power to the user equipment, GND is the negative power supply, and 5V is the positive power supply. Can only supply power to devices with 5V power supply

TTL Wiring



Note: The switch goes to TTL, when the user equipment power supply is DC5V, the converter can directly supply power to the user equipment

RS232 Wiring



Note: The switch goes to TTL, when the user equipment power supply is DC5V, the converter can directly supply power to the user equipment

Application solution

■ RS485 Wiring ■



■ RS485 Wiring ■



■ TTL Wiring ■



■ RS232 Wiring ■



Disclaimer

This document provides all information about the product, does not grant any license to intellectual property, does not express or imply, and prohibits any other means of granting any intellectual property rights, such as the statement of sales terms and conditions of this product, other issues. No liability is assumed. Furthermore, our company makes no warranties, express or implied, regarding the sale and use of this product, including the suitability for the specific use of the product, the marketability or the infringement liability for any patent, copyright or other intellectual property rights, etc. Product specifications and product descriptions may be modified at any time without notice.

Contact Us

Company: Shanghai Sonbest Industrial Co., Ltd TRANBALL Brand Division
Address: Building 8, No.215 North east road, Baoshan District, Shanghai, China
Web: <http://www.hitdo.com>
Web: <http://www.hitdo.com>
SKYPE: soobuu
Email: sale@sonbest.com
Tel: 86-021-51083595 / 66862055 / 66862075 / 66861077