

KD67B86

RS485 tower crane wind speed alarm instrument

User Manual

File Version: V21.3.6

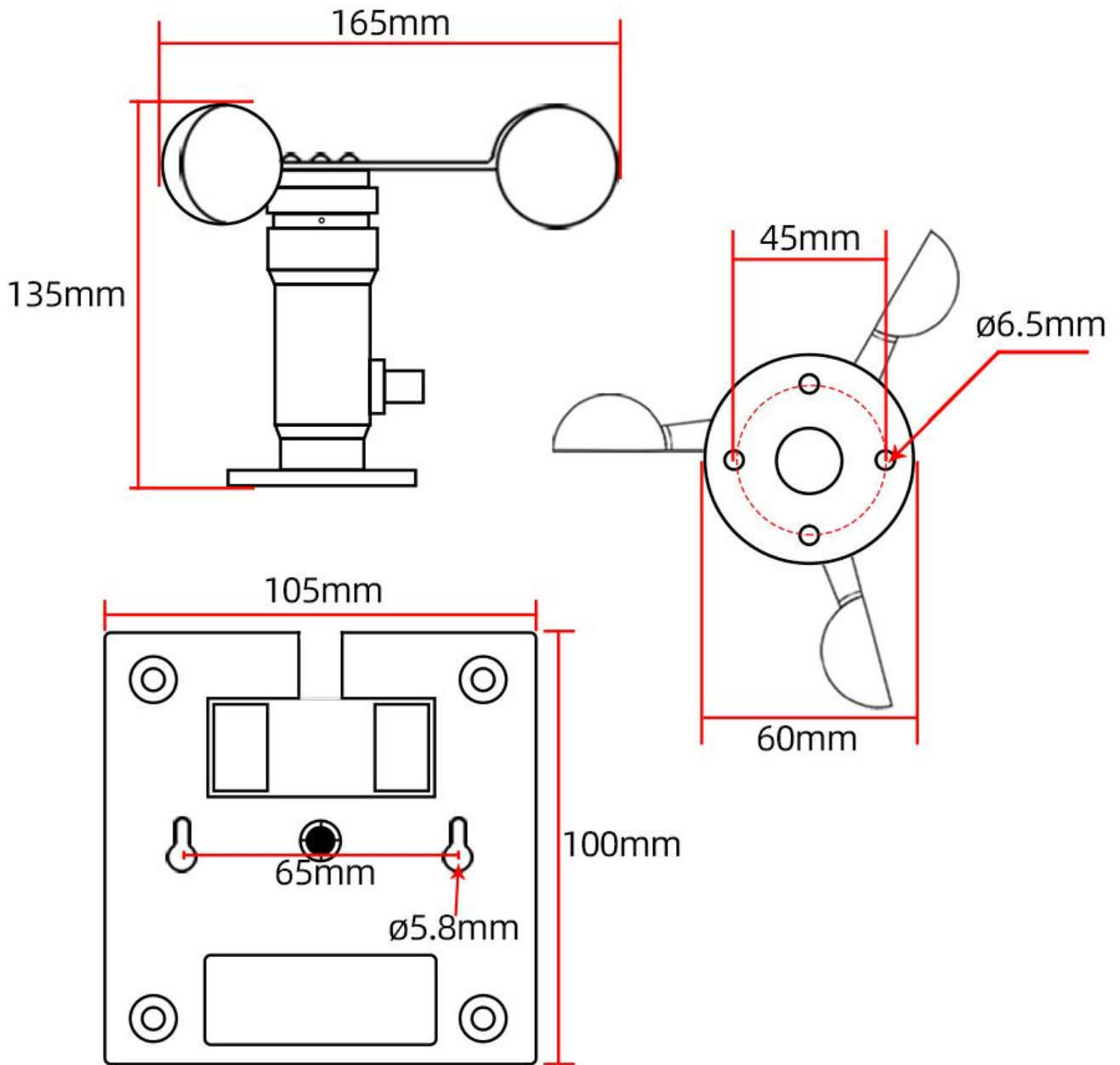


KD67B86 using the standard RS485 bus MODBUS-RTU protocol, easy access to PLC, DCS and other instruments or systems for monitoring wind speed state quantities. The internal use of high-precision sensing core and related devices to ensure high reliability and excellent long-term stability, can be customized RS232, RS485, CAN, 4-20mA, DC0~5V\10V, ZIGBEE, Lora, WIFI, GPRS and other output methods.

Technical Parameters

Technical parameter	Parameter value
Brand	KLHA
Wind speed range	0~30m/s
Start wind	0.2m/s
Wind speed accuracy	± 3%
Shell material	aluminum
Communication Interface	RS485
Default baud rate	9600 8 n 1
Power	DC9~24V 1A
Display	LED
Running temperature	-40~80°C

Product Size



How to wiring?



BREATHABLE GRID HOLES

All four corners have
ventilation holes
Prevent internal overheating from
affecting measurement results

STATUS INDICATOR

When the warning threshold is
reached, the yellow light is on
When the alarm threshold is
reached, the red light is on
and the buzzer is turned on





WATERPROOF CONNECTOR

Water-proof connector on the side of the sensor

THREE-CUP APPEARANCE

360° measurement does not miss any dead angle





FLANGE BASE

Porous position is convenient to fix
Robust and stable installation
is simple and convenient

Optional function-relay wiring method (lead)

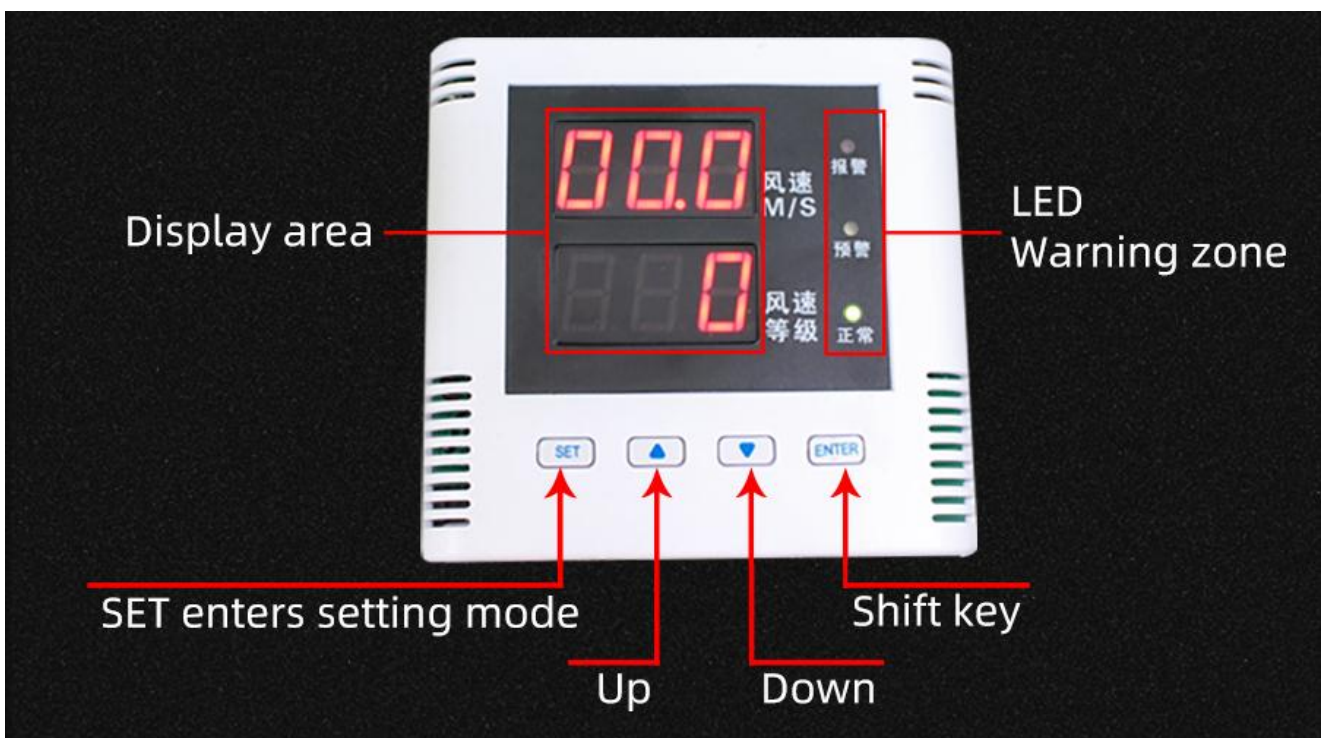
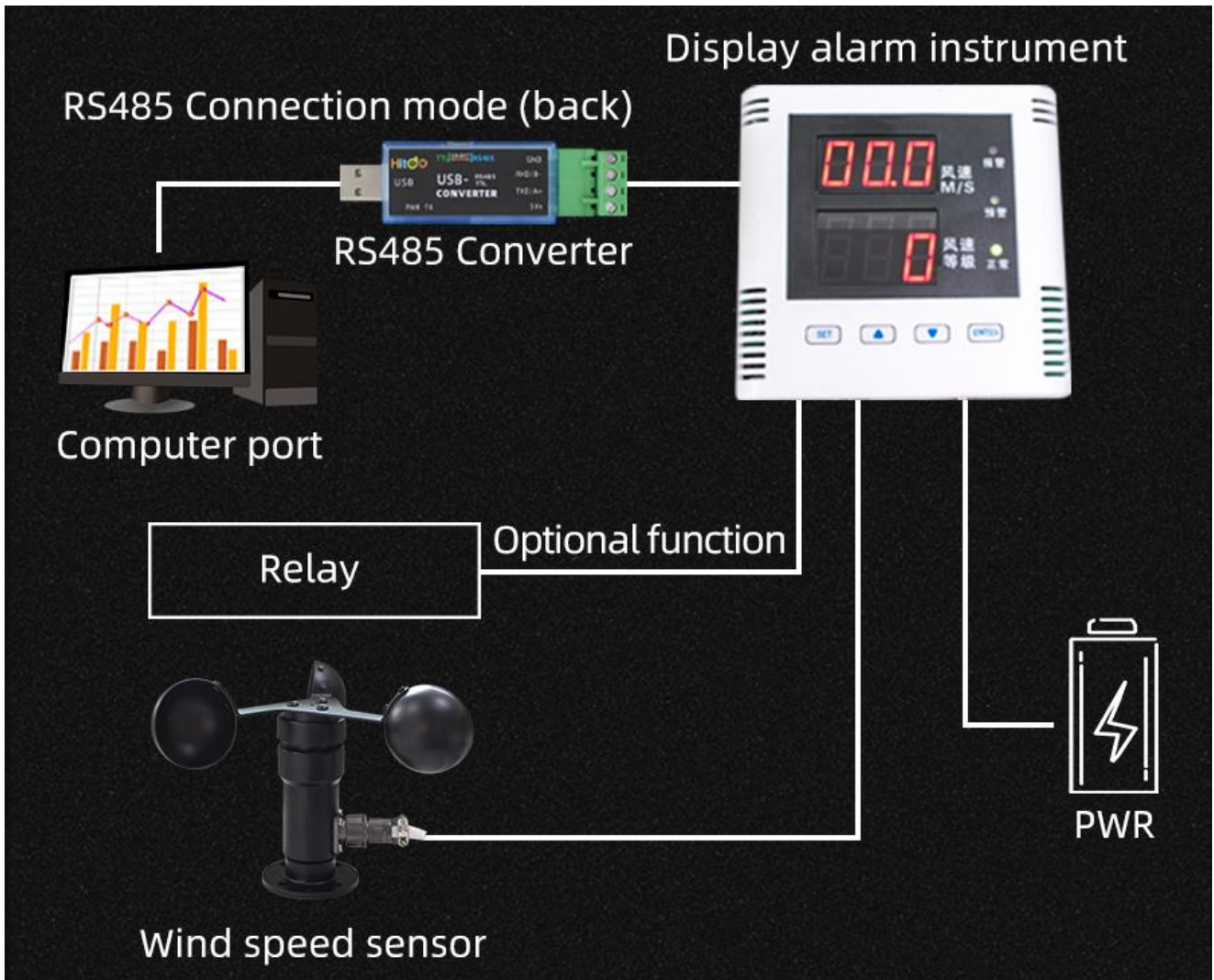
Alarm relay output line	■ Alarm normally open pin 1
	■ Alarm normally open pin 2
Early warning relay output line	■ Early warning normally open pin 1
	■ Early warning normally open pin 2

RS485 Wiring method (back)

█	RD	PWR+
█	GN	PWR-
█	YE	RS485 A+
█	BU	RS485 B-

※Note: When wiring, connect the positive and negative poles of the power supply first, then connect the signal wire

Application solution



How to use?



Communication Protocol Disclaimer

This document provides all information about the product, does not grant any license to intellectual property, does not express or imply, and prohibits any other means of granting any intellectual property rights, such as the statement of sales terms and conditions of this product, other issues. No liability is assumed. Furthermore, our company makes no warranties, express or implied, regarding the sale and use of this product, including the suitability for the specific use of the product, the marketability or the infringement liability for any patent, copyright or other intellectual property rights, etc. Product specifications and product descriptions may be modified at any time without notice.

Contact Us

Company: Shanghai Sonbest Industrial Co., Ltd KLHA Brand Division

Address: Building 8, No. 215 North east road, Baoshan District, Shanghai, China

Web: <http://www.klha.com>

Web: <http://www.klha.com>

SKYPE: soobuu

Email: sale@sonbest.com

Tel: 86-021-51083595 / 66862055 / 66862075 / 66861077