

## **KM53V88**

### **0-5V outdoor aluminum wind speed and direction integrated sensor**

#### **User Manual**

File Version: V21.4.14



KM53V88 using the standard ,easy access to PLC , DCS and other instruments or systems for monitoring wind speed,conductivity state quantities.The internal use of high-precision sensing core and related devices to ensure high reliability and excellent long-term stability,can be customized

RS232,RS485,CAN,4-20mA,DC0~5V\10V,ZIGBEE,Lora,WIFI,GPRS and other output methods.

### Technical Parameters

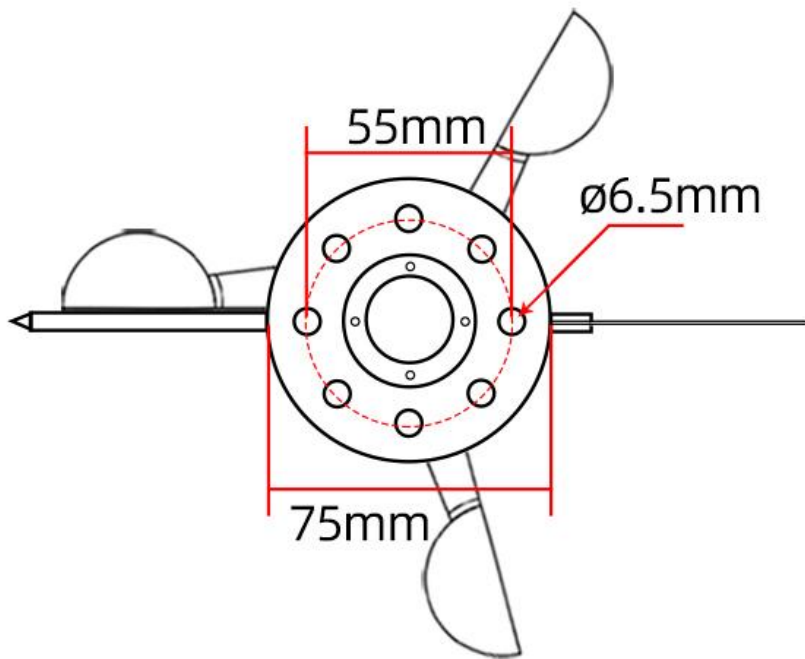
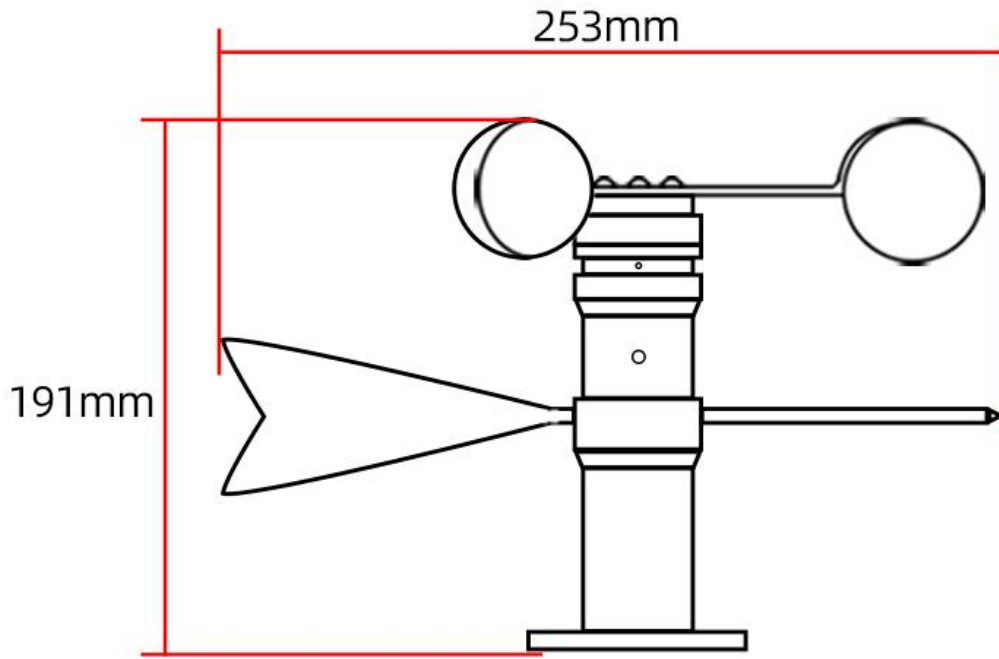
Technical parameter	Parameter value
Brand	KLHA
Wind speed range	0~30m/s
Start wind	0.2m/s
Wind speed accuracy	±3%
Shell material	aluminum
Wind direction range	0~360°
Wind direction resolution	22.5°
Power	DC12~24V 1A
Running temperature	-40~80°C

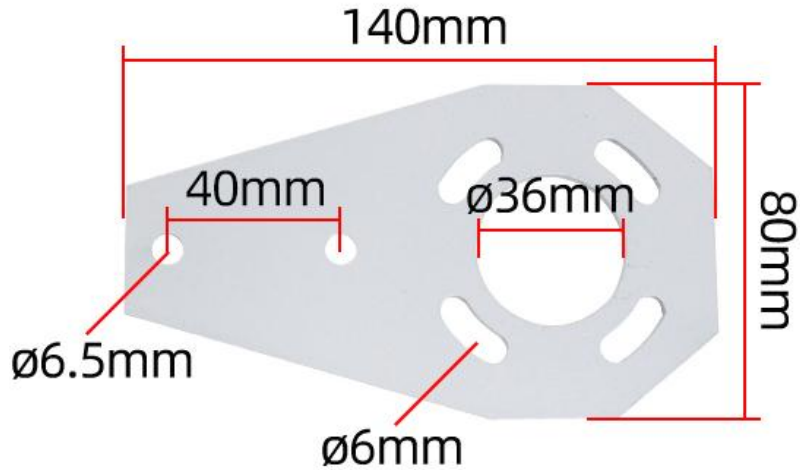
### Product Selection

Product DesignDC0-5V,DC0-10VMultiple output methods, the products are divided into the following models depending on the output method.

Product model	output method
KM53V8V5	DC0-5V
KM53V8V10	DC0-10V

### Product Size





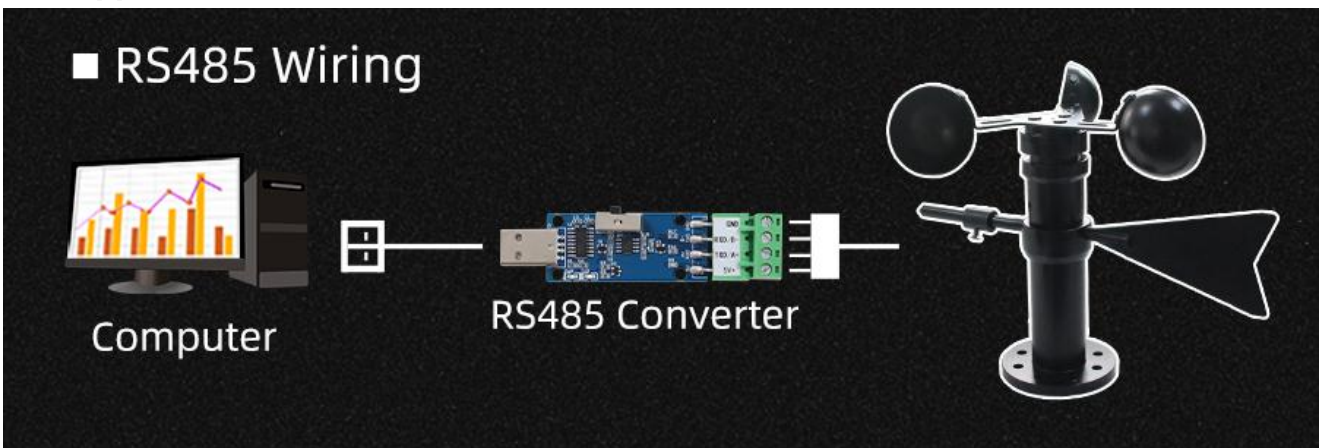
**How to wiring?**

RS485 Wiring		
<span style="color: red;">█</span>	RD	PWR+
<span style="color: green;">█</span>	GN	PWR-
<span style="color: yellow;">█</span>	YE	RS485 A+
<span style="color: blue;">█</span>	BU	RS485 B-

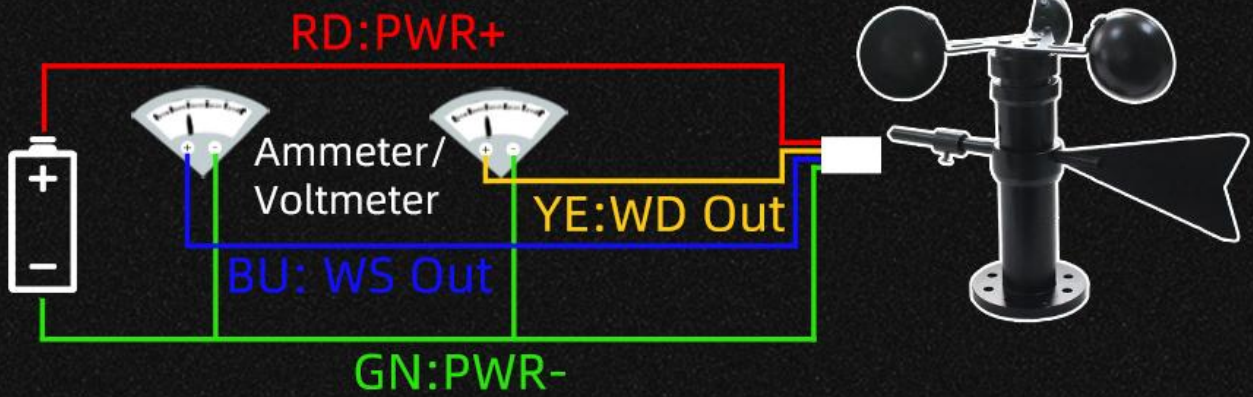
mA/V Wiring		
<span style="color: red;">█</span>	RD	PWR+
<span style="color: green;">█</span>	GN	PWR-
<span style="color: yellow;">█</span>	YE	WD Output
<span style="color: blue;">█</span>	BU	WS Output

※Note: When wiring, connect the positive and negative poles of the power supply first, and then connect the signal wire

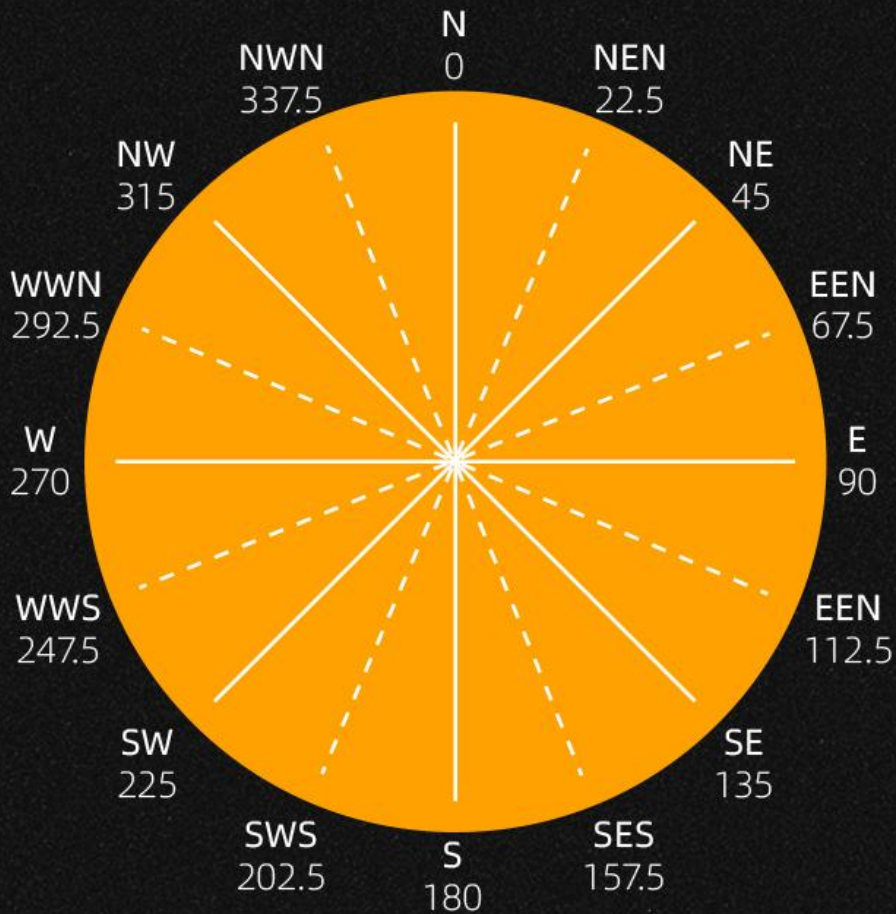
**Application solution**



■ mA/V Wiring



# 16-DIMENSIONAL MAP OF WIND DIRECTION



## How to use?



### Disclaimer

This document provides all information about the product, does not grant any license to intellectual property, does not express or imply, and prohibits any other means of granting any intellectual property rights, such as the statement of sales terms and conditions of this product, other issues. No liability is assumed. Furthermore, our company makes no warranties, express or implied, regarding the sale and use of this product, including the suitability for the specific use of the product, the marketability or the infringement liability for any patent, copyright or other intellectual property rights, etc. Product specifications and product descriptions may be modified at any time without notice.

### Contact Us

Company: Shanghai Sonbest Industrial Co., Ltd KLHA Brand Division

Address: Building 8, No.215 North east road, Baoshan District, Shanghai, China

Web: <http://www.klha.com>

Web: <http://www.klha.com>

SKYPE: soobuu

Email: [sale@sonbest.com](mailto:sale@sonbest.com)

Tel: 86-021-51083595 / 66862055 / 66862075 / 66861077