

QG816P

PCAN VIEWCAN isolation USB-PCAN analyzer

User Manual

File Version: V23.8.1

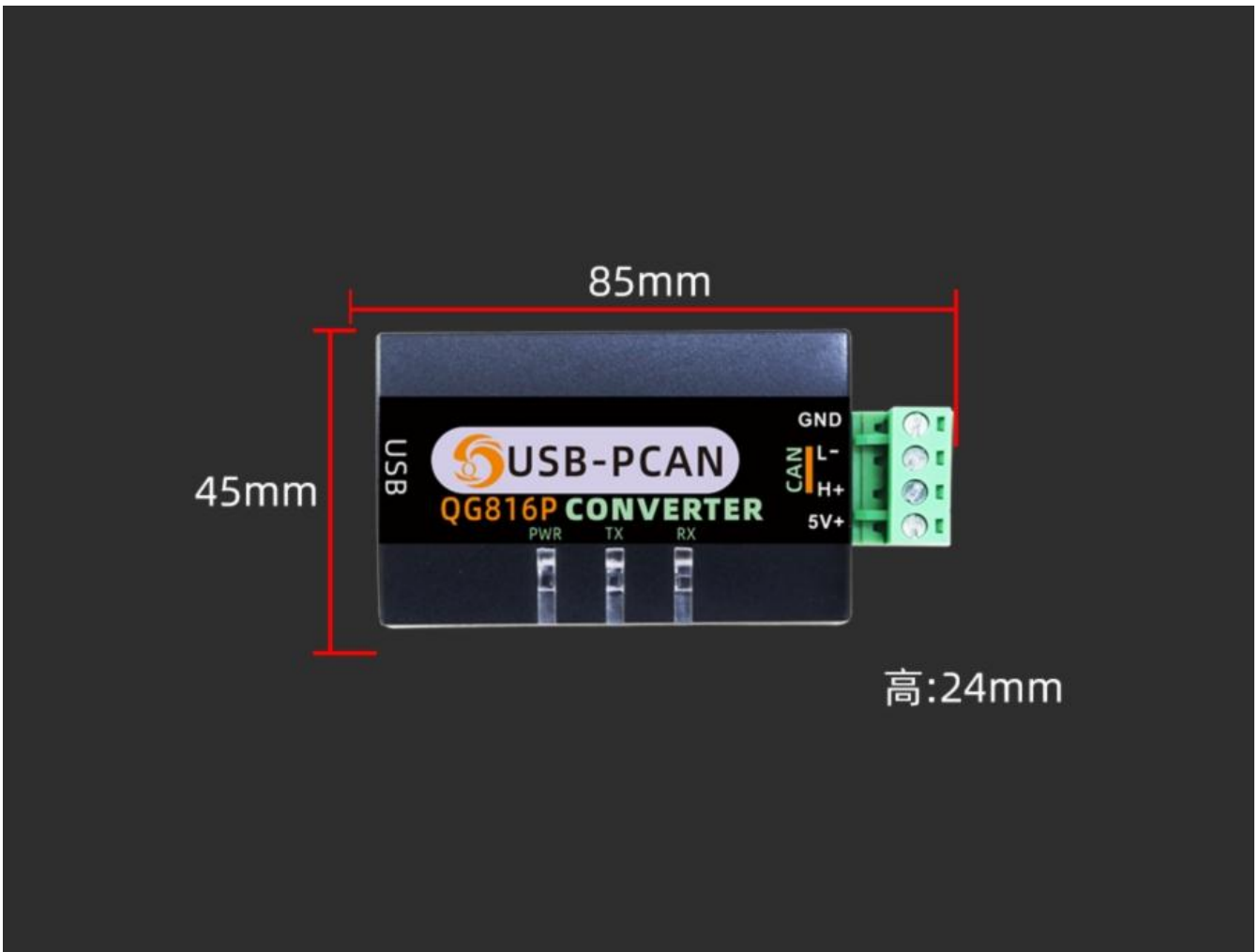


QG816P using the standard USB, easy access to PLC, DCS and other instruments or systems for monitoring CAN1 state quantities. The internal use of high-precision sensing core and related devices to ensure high reliability and excellent long-term stability, can be customized RS232, RS485, CAN, 4-20mA, DC0~5V/10V, ZIGBEE, Lora, WIFI, GPRS and other output methods.

Technical Parameters

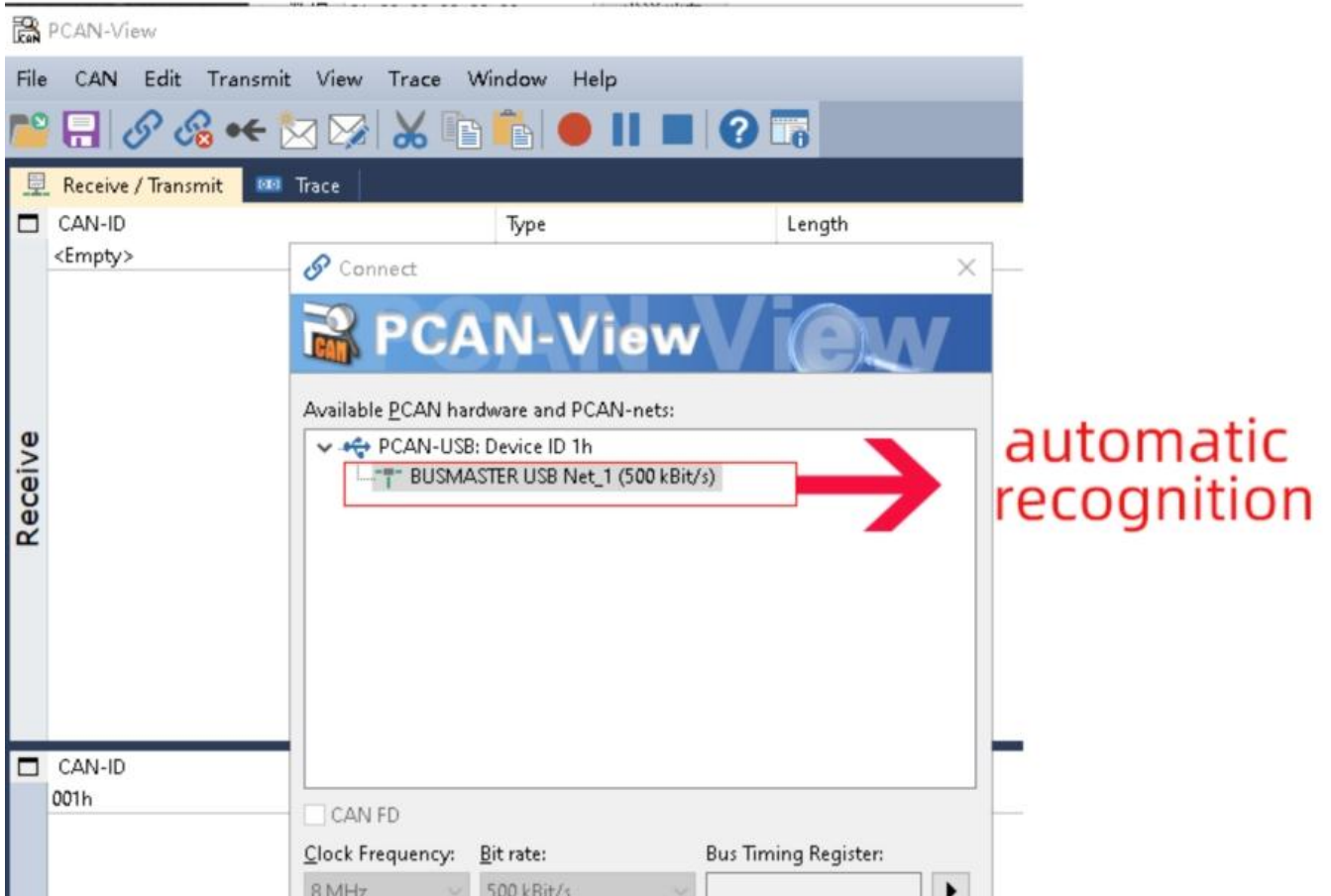
Technical parameter	Parameter value
Brand	TRANBALL
Input Interface	CAN BUS
Default Rate	250kbps
Communication Interface	USB
Default baud rate	9600 8 n 1
Power	DC5V 1A
Running temperature	-30~85℃
Working humidity	5%RH~90%RH

Product Size



software to test

PCAN-VIEW



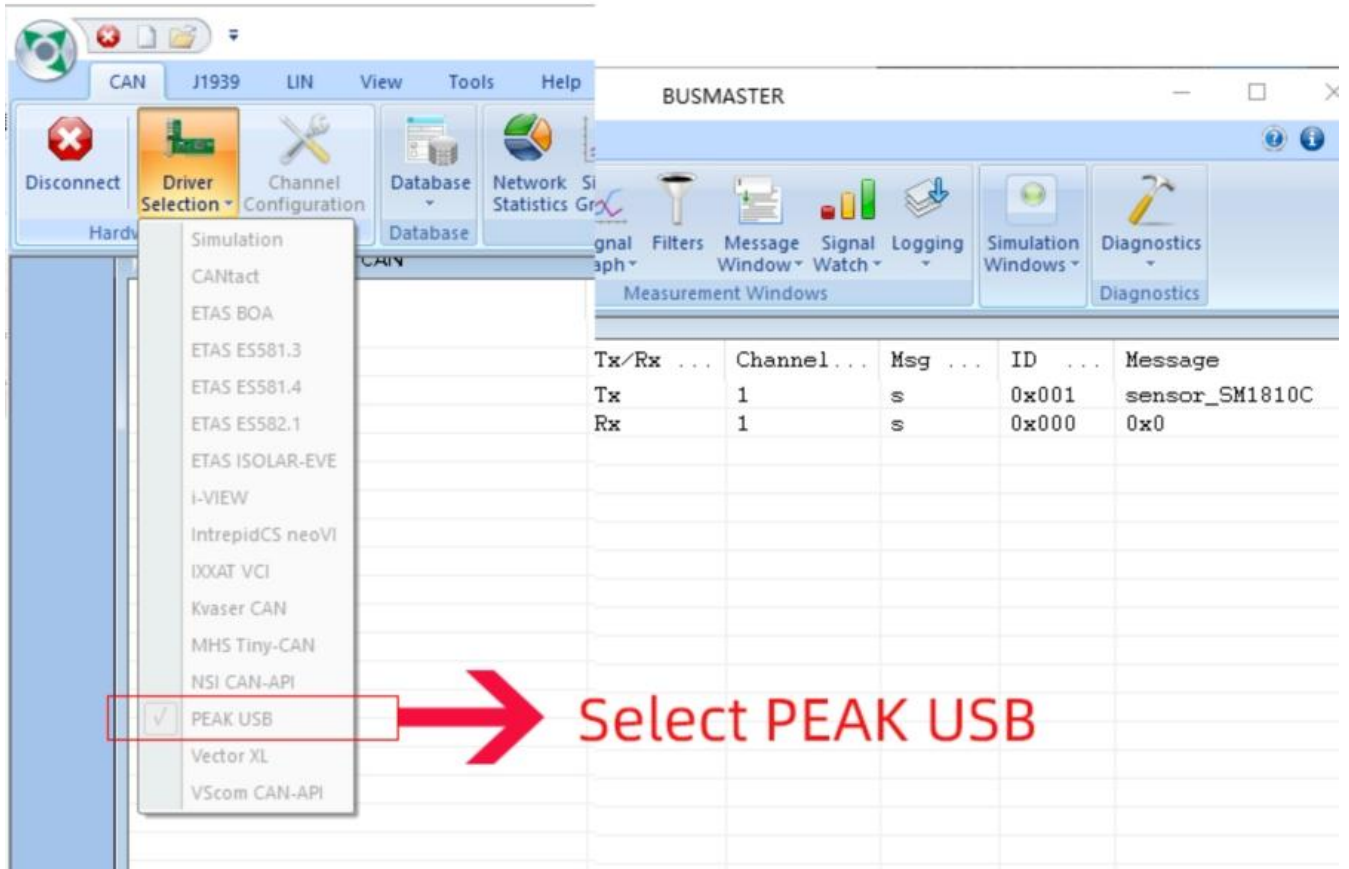
TSMASTERY hardware identification in 3 steps

The screenshot displays the TSMaster v2023.2.6.818.0 software interface. The top menu bar includes '分析', '硬件', '仿真', '应用', '工程', '工具', and '帮助'. The '硬件' (Hardware) menu is active, showing options for '通道选择', '总线硬件', '通道映射', and '选择厂商'. A red arrow labeled '1' points to the '选择厂商' (Select Manufacturer) button, with the text 'Select manufacturer: PEAK' next to it.

Below the menu, the '不同厂商设备检测设置' (Different Manufacturer Device Detection Settings) window is open. It features radio buttons for '勾选所有' (selected), '勾选默认' (deselected), and a '视频教程 (中文)' (Video Tutorial) link. A note instructs users to select devices for scanning and that clicking a manufacturer name will open the driver download link. A list of manufacturers is shown with checkboxes: TOSUN (unchecked), VECTOR (unchecked), PEAK (checked), and KVASER (unchecked). A red arrow labeled '2' points to the PEAK checkbox. To the right, the '硬件配置' (Hardware Configuration) panel is visible, showing '应用程序通道' (Application Channel), '总线通道配置' (Bus Channel Configuration), and 'CAN CAN 1' (selected).

A red arrow labeled '3' points to the 'CAN CAN 1' selection, with the text '3 Hardware configuration selection CAN1' next to it.

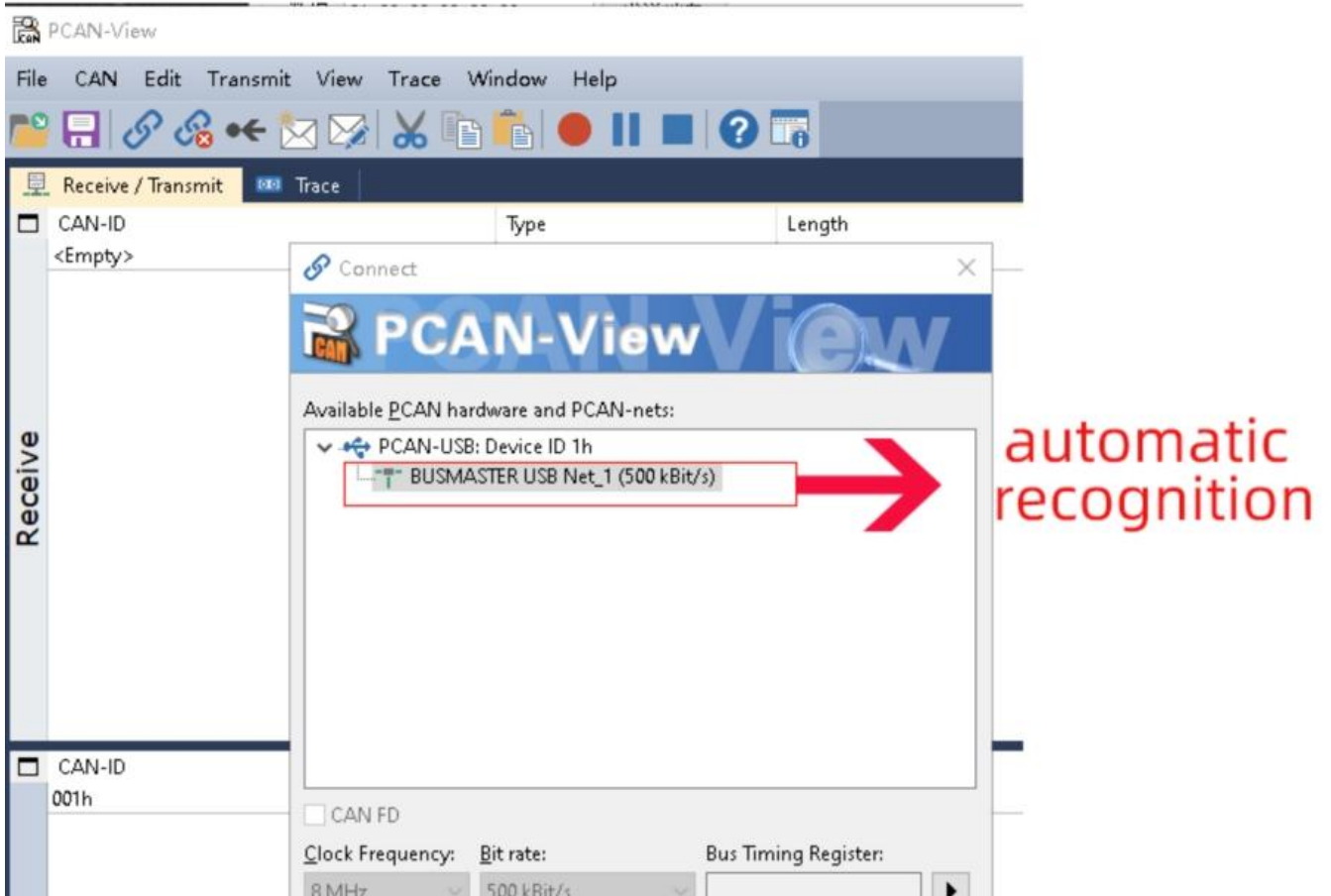
Support BUSMASTER software



In the case of broken wires, wire the wires as shown in the figure. If the product itself has no leads, the core color is for reference.

How to use software?

PCAN-VIEW



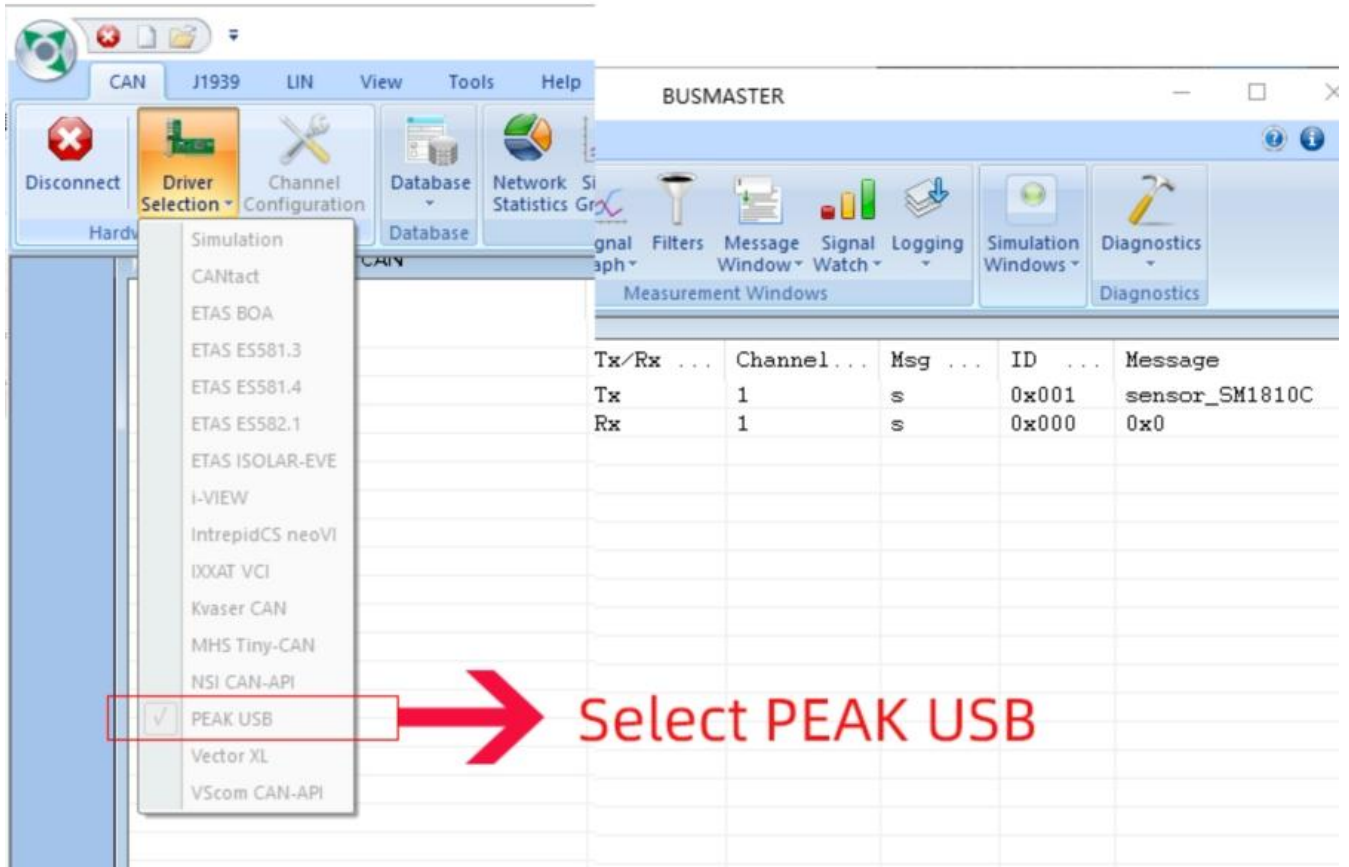
TSMASTERY hardware identification in 3 steps

The screenshot displays the TSMaster v2023.2.6.818.0 software interface. The top menu bar includes '分析', '硬件', '仿真', '应用', '工程', '工具', and '帮助'. The '硬件' (Hardware) menu is active, showing options for '通道选择', '总线硬件', '通道映射', and '选择厂商'. A red arrow labeled '1' points to the '选择厂商' (Select Manufacturer) button, with the text 'Select manufacturer: PEAK' next to it.

Below the menu, the '不同厂商设备检测设置' (Different Manufacturer Device Detection Settings) window is open. It features radio buttons for '勾选所有' (selected), '勾选默认' (deselected), and a '视频教程 (中文)' (Video Tutorial) link. A note states: '请选择在设备检测过程中需要扫描的设备, 双击厂商条目可自动打开对应驱动力的下载链接地址 (同星硬件无需安装驱动) TOSUN 将会尽可能添加对不同品牌硬件厂商的支持'. A list of manufacturers is shown with checkboxes: TOSUN (unchecked), VECTOR (unchecked), PEAK (checked), and KVASER (unchecked). A red arrow labeled '2' points to the PEAK entry. A red box highlights the URL 'http://www.tosunai.cn/' for TOSUN.

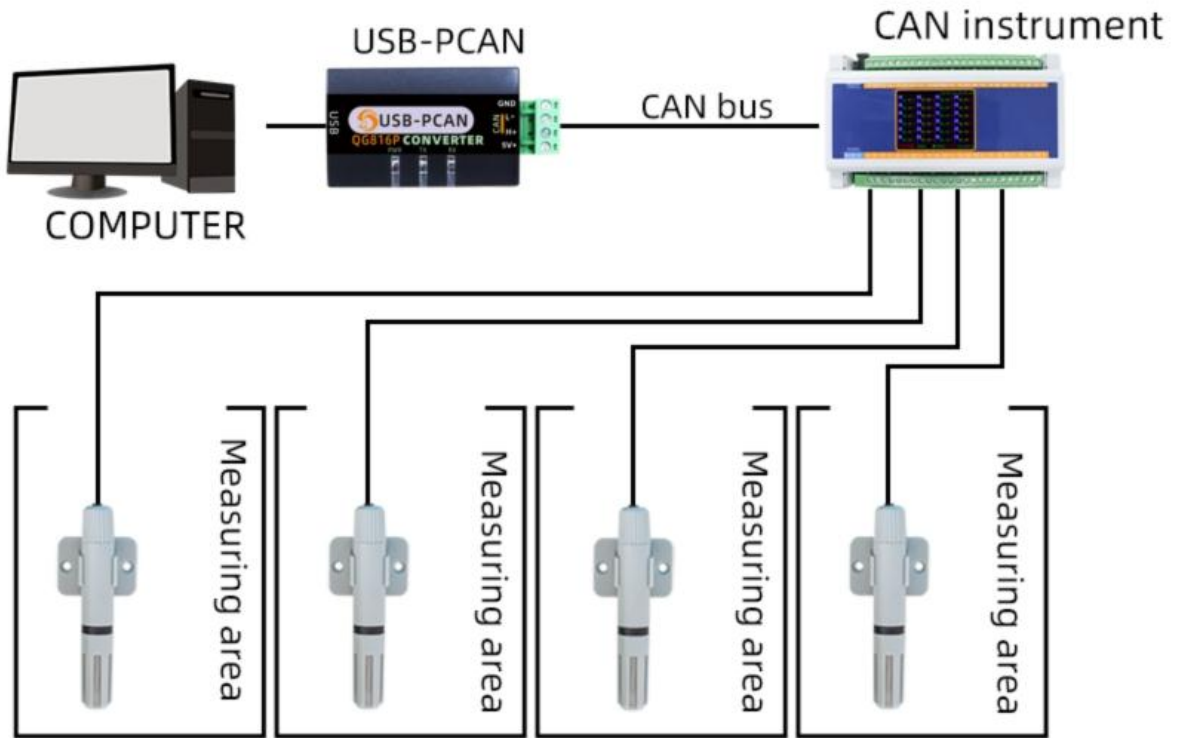
On the right side, the '硬件配置' (Hardware Configuration) panel is visible, showing '应用程序通道' (Application Channel), '总线通道配置' (Bus Channel Configuration), and 'CAN CAN 1' (selected). A red arrow labeled '3' points to the 'CAN CAN 1' option, with the text '3 Hardware configuration selection CAN1' next to it.

Support BUSMASTER software

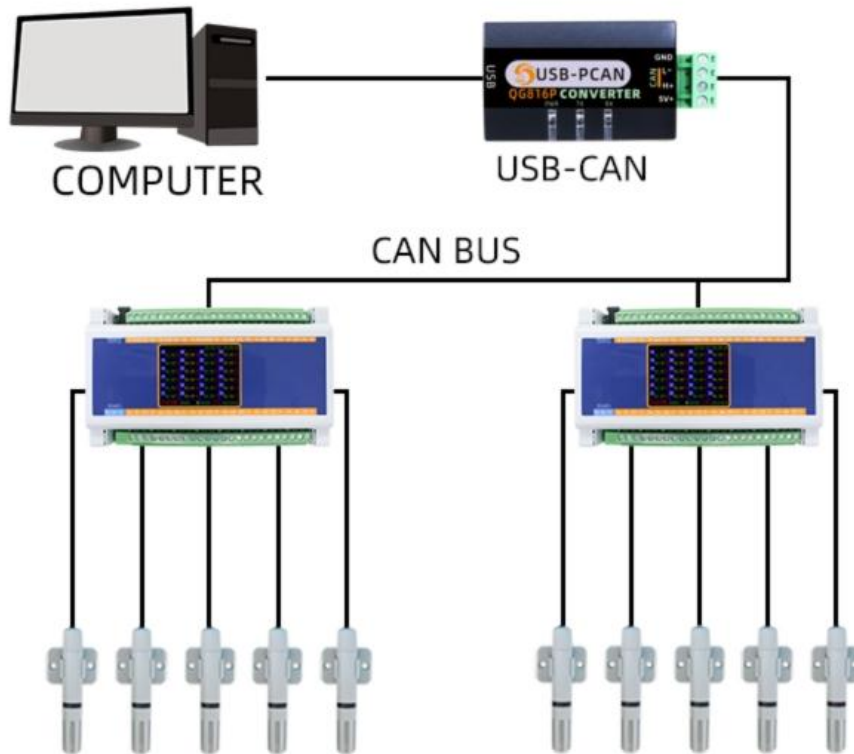


How to use?
Application solution

■ Basic application of CAN equipment



■ Multi-CAN device networking scheme



Product List



USB-PCAN CONVERTER



USB TO CAN CABLE

Disclaimer

This document provides all information about the product, does not grant any license to intellectual property, does not express or imply, and prohibits any other means of granting any intellectual property rights, such as the statement of sales terms and conditions of this product, other issues. No liability is assumed. Furthermore, our company makes no warranties, express or implied, regarding the sale and use of this product, including the suitability for the specific use of the product, the marketability or the infringement liability for any patent, copyright or other intellectual property rights, etc. Product specifications and product descriptions may be modified at any time without notice.

Contact Us

Company: Shanghai Sonbest Industrial Co., Ltd TRANBALL Brand Division

Address: Building 8, No. 215 North east road, Baoshan District, Shanghai, China

Web: <http://www.qunbao.com>

Web: <http://www.tranball.com>

SKYPE: soobuu

Email: sale@sonbest.com

Tel: 86-021-51083595 / 66862055 / 66862075 / 66861077