

QM7005

Metal housing optical rain sensor

User Manual

File Version: V23.9.21



QM7005 using the standard ,easy access to PLC, DCS and other instruments or systems for monitoring rainfall state quantities.The internal use of high-precision sensing core and related devices to ensure high reliability and excellent long-term stability,can be customized RS232,RS485,CAN,4-20mA,DC0~5V\10V,ZIGBEE,Lora,WIFI,GPRS and other output methods.

Technical Parameters

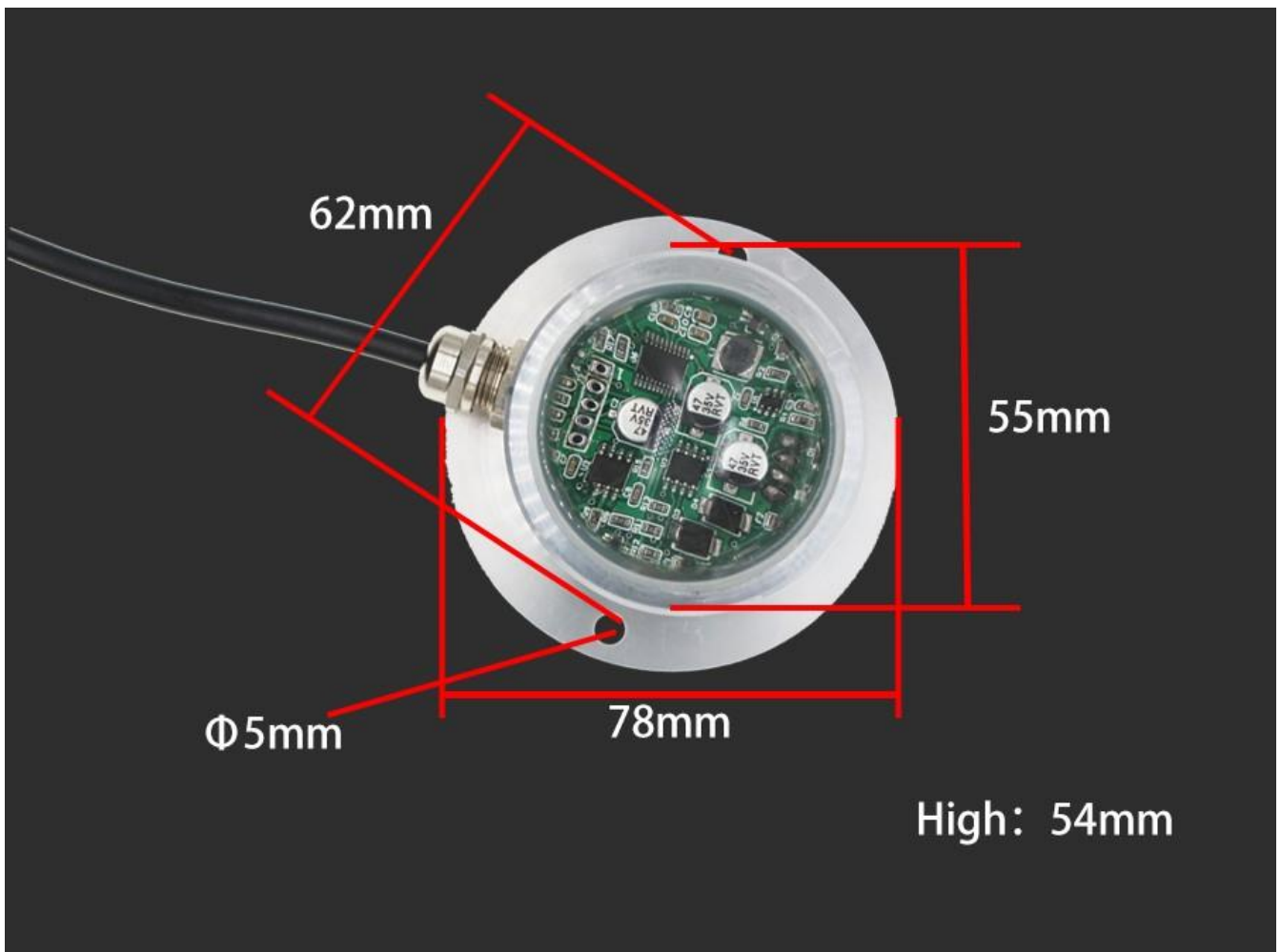
Technical parameter	Parameter value
Brand	TRANBALL
Rainfall range	0.01mm~4mm/min
Rainfall Resolution	0.01mm~4mm/min
Rain inlet size	φ 200mm
Rainfall Sharp edge	40°~45
Rainfall accuracy	± 3%
Power	DC6~24V 1A
Power	DC6~24V 1A
Running temperature	-30~85℃

Product Selection

Product Design RS485, 4-20mA, DC0-10V, 脉冲 Multiple output methods, the products are divided into the following models depending on the output method.

Product model	output method
QM7005B	RS485 总线
QM7005M	4-20mA
QM7005V10	DC0-10V
QM7005S	脉冲

Product Size

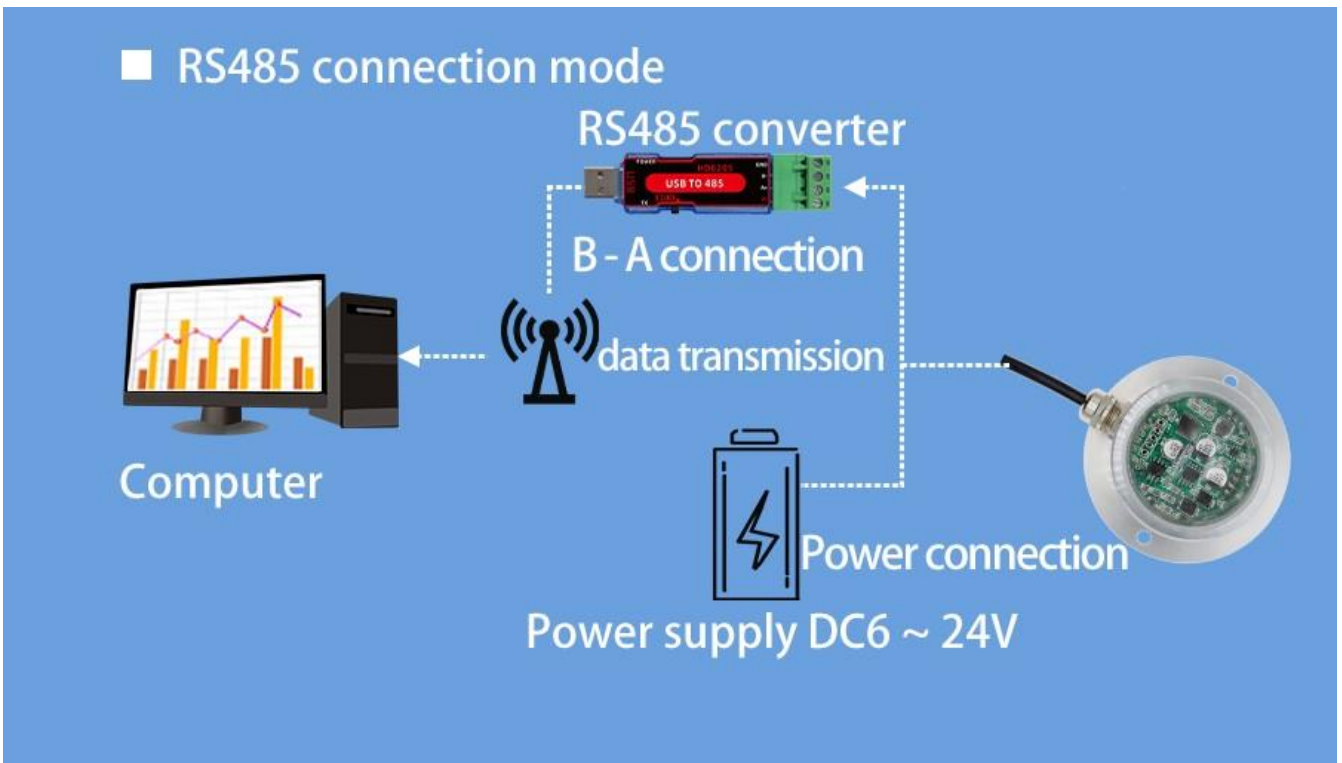


In the case of broken wires, wire the wires as shown in the figure. If the product itself has no leads, the core color is for reference.

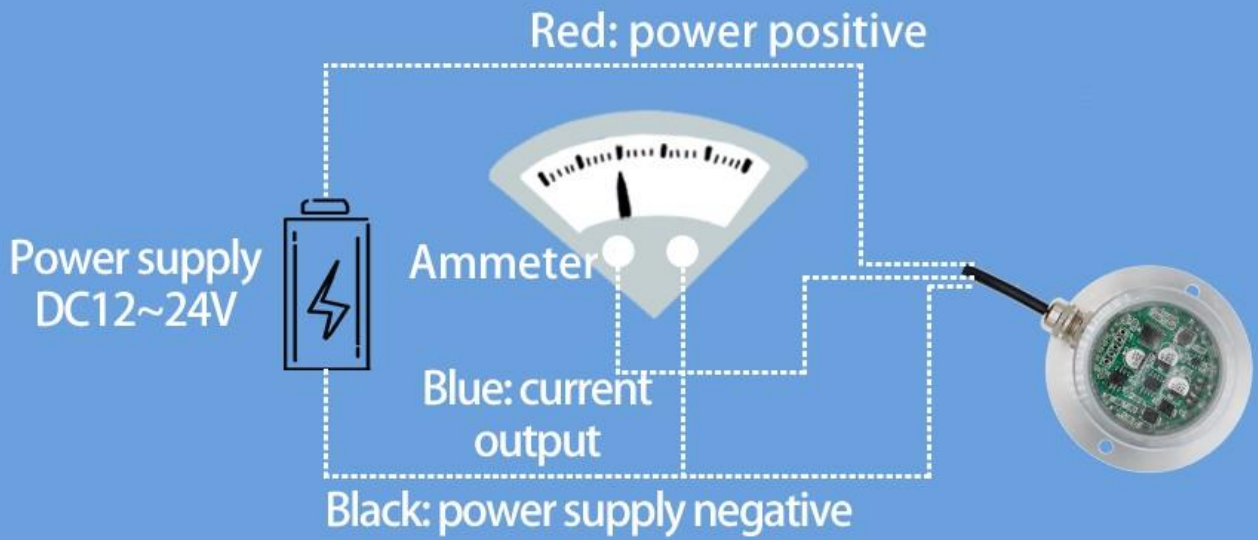
How to use?



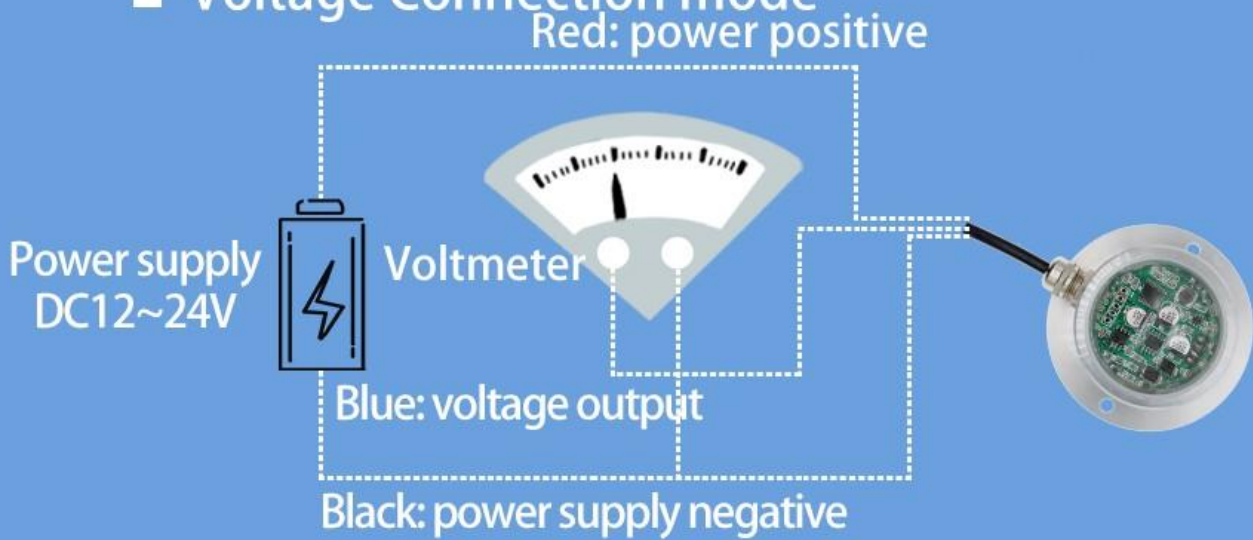
Application solution



■ Current connection mode



■ Voltage Connection mode



Product List



Dual channel infrared optical rain sensor



Reminder card



Certificate

Disclaimer

This document provides all information about the product, does not grant any license to intellectual property, does not express or imply, and prohibits any other means of granting any intellectual property rights, such as the statement of sales terms and conditions of this product, other issues. No liability is assumed. Furthermore, our company makes no warranties, express or implied, regarding the sale and use of this product, including the suitability for the specific use of the product, the marketability or the infringement liability for any patent, copyright or other intellectual property rights, etc. Product specifications and product descriptions may be modified at any time without notice.

Contact Us

Company: Shanghai Sonbest Industrial Co., Ltd TRANBALL Brand Division
 Address: Building 8, No.215 North east road, Baoshan District, Shanghai, China
 Web: <http://www.qunbao.com>
 Web: <http://www.tranball.com>
 SKYPE: soobuu
 Email: sale@sonbest.com
 Tel: 86-021-51083595 / 66862055 / 66862075 / 66861077