

QM8765B

Stainless steel noise sensor

User Manual

File Version: V23.9.4



QM8765B using the standard ,easy access to PLC, DCS and other instruments or systems for monitoring noise state quantities.The internal use of high-precision sensing core and related devices to ensure high reliability and excellent long-term stability,can be customized RS232,RS485,CAN,4-20mA,DC0~5V/10V,ZIGBEE,Lora,WIFI,GPRS and other output methods.

Technical Parameters

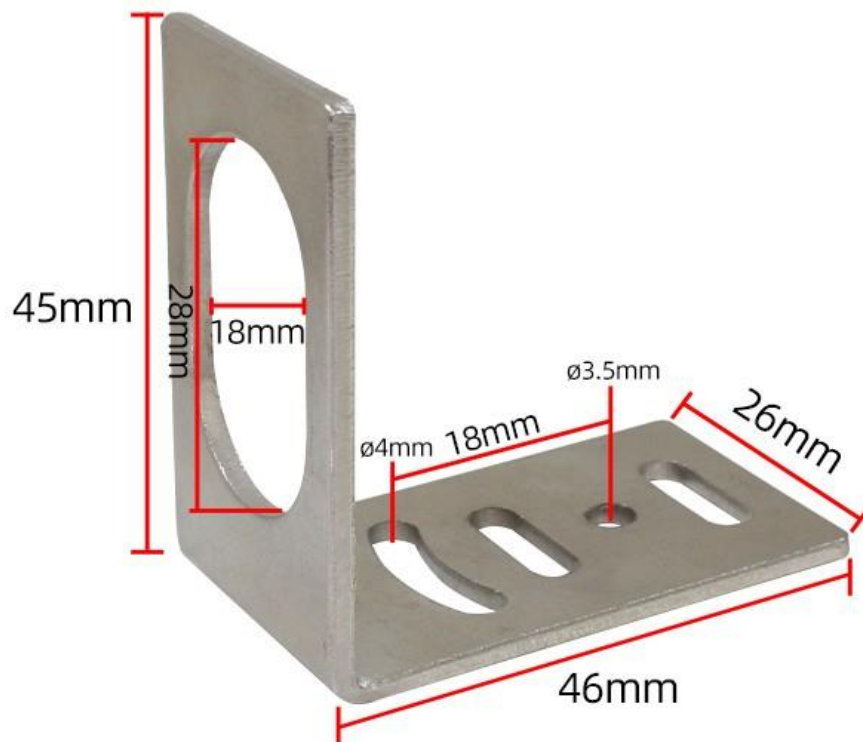
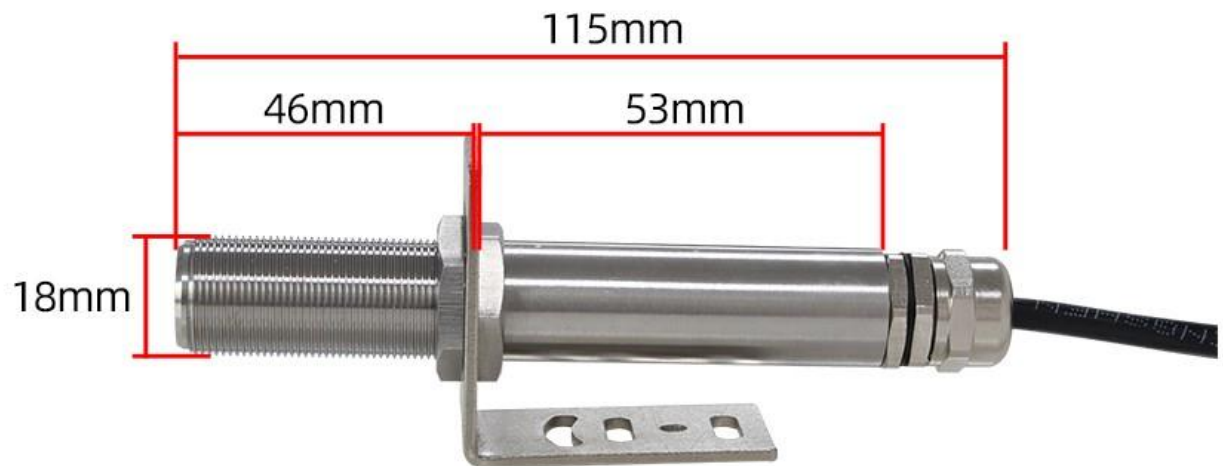
Technical parameter	Parameter value
Brand	TRANBALL
Noise range	30~130dB
Noise accuracy	±3%
Power	DC12~24V 1A
Running temperature	-30~85℃
Working humidity	5%RH~90%RH

Product Selection

Product Design RS485, 4-20mA, DC12-24V Multiple output methods, the products are divided into the following models depending on the output method.

Product model	output method
QM8765B	RS485 总线
QM8765M	4-20mA

Product Size







Industrial-grade design to meet a variety of needs






WIRING METHOD

RS485 Wiring

	RD	PWR+
	GN	PWR-
	YE	RS485+
	BU	RS485-

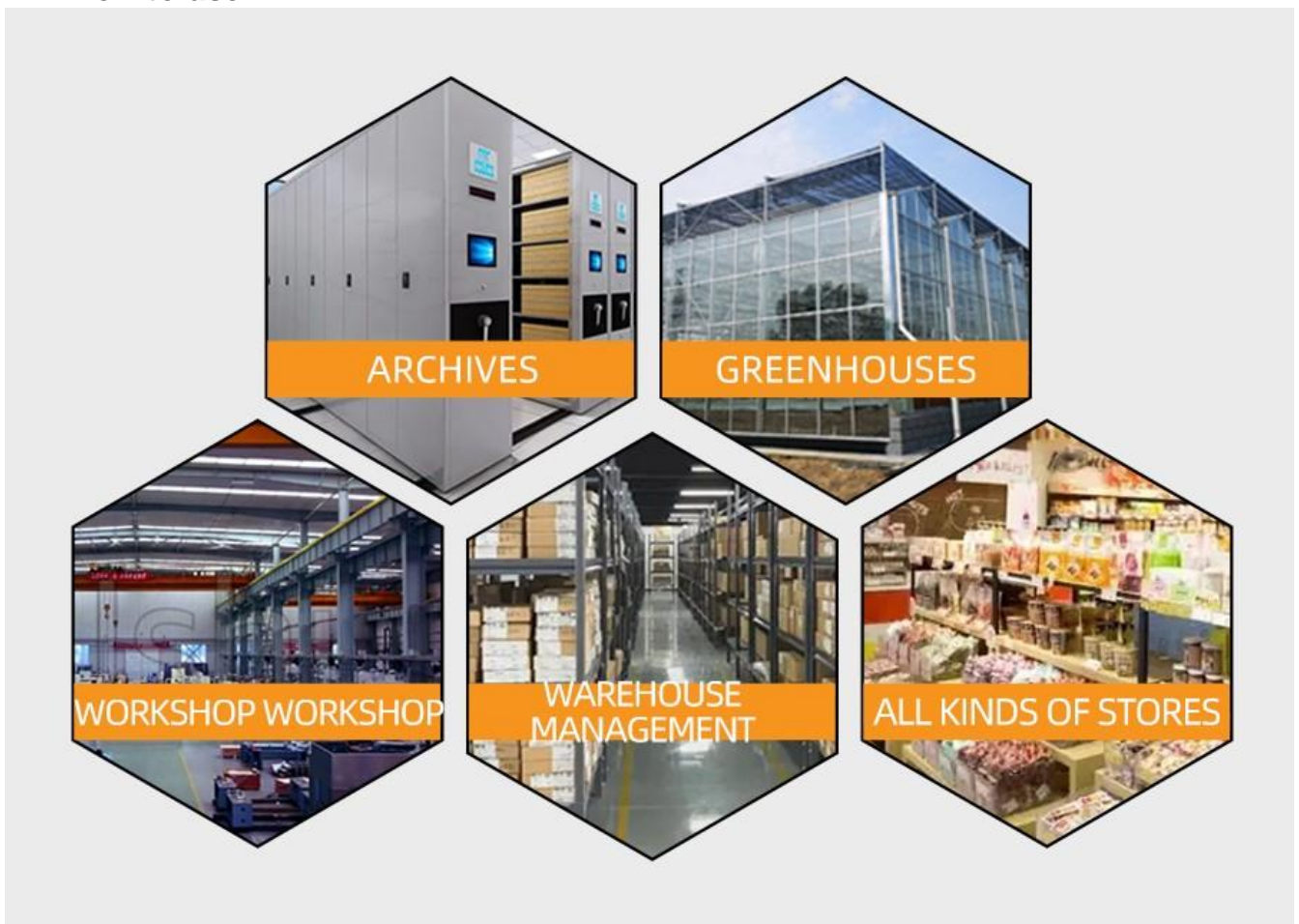
Current wiring

	RD	PWR+
	BK	PWR-
	BU	mA Output

※Note: When wiring, connect the positive and negative poles of the power supply first, and then connect the signal wire

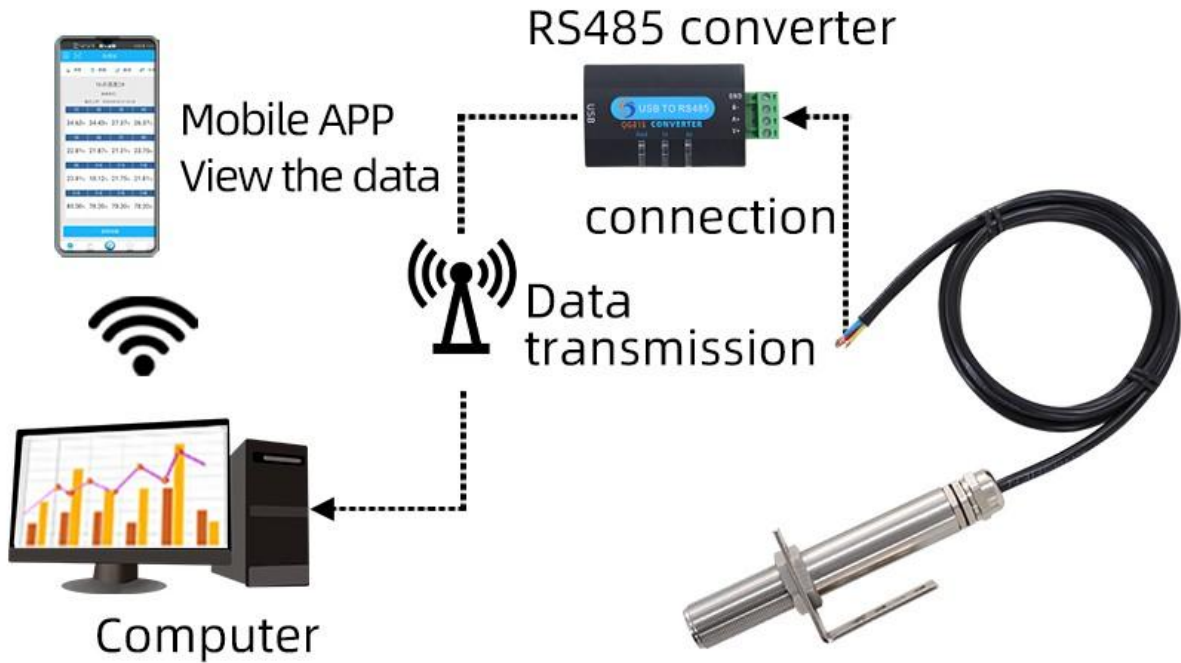
In the case of broken wires, wire the wires as shown in the figure. If the product itself has no leads, the core color is for reference.

How to use?

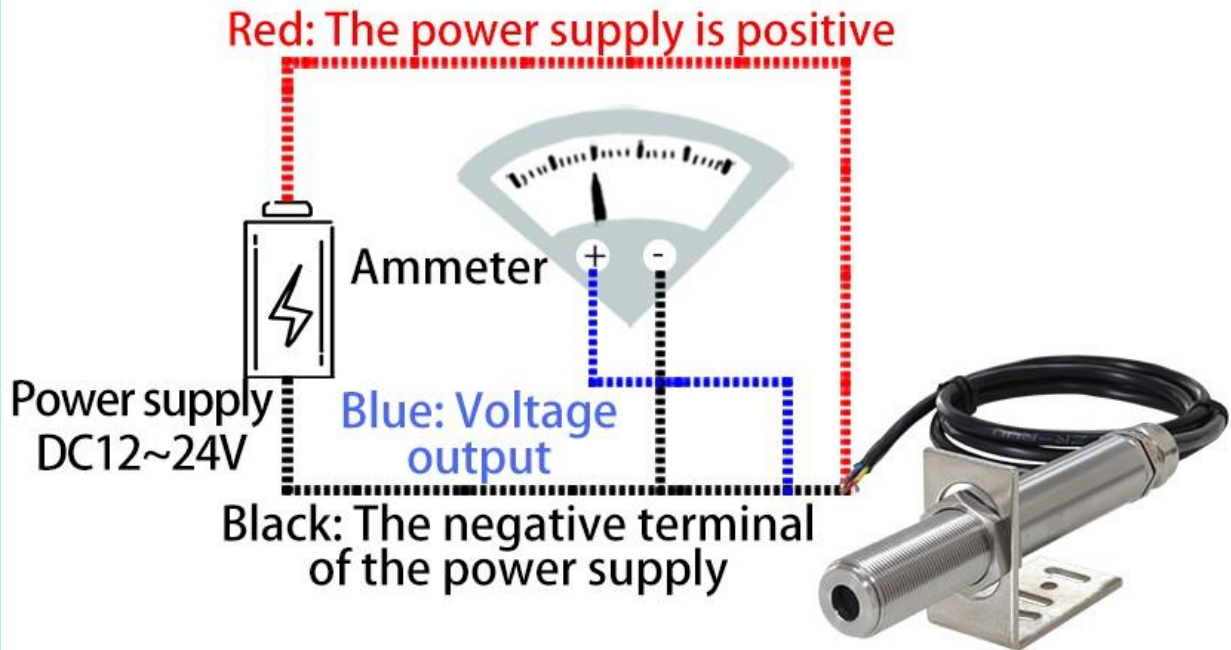


Application solution

■ RS485 wiring method



■ Current wiring method



Product List



Stainless steel noise sensor (no power and no converter)

Disclaimer

This document provides all information about the product, does not grant any license to intellectual property, does not express or imply, and prohibits any other means of granting any intellectual property

rights, such as the statement of sales terms and conditions of this product, other issues. No liability is assumed. Furthermore, our company makes no warranties, express or implied, regarding the sale and use of this product, including the suitability for the specific use of the product, the marketability or the infringement liability for any patent, copyright or other intellectual property rights, etc. Product specifications and product descriptions may be modified at any time without notice.

Contact Us

Company: Shanghai Sonbest Industrial Co., Ltd TRANBALL Brand Division

Address: Building 8, No. 215 North east road, Baoshan District, Shanghai, China

Web: <http://www.qunbao.com>

Web: <http://www.tranball.com>

SKYPE: soobuu

Email: sale@sonbest.com

Tel: 86-021-51083595 / 66862055 / 66862075 / 66861077