

SA7602B

**Sound and light alarm volume continuously adjustable Sound
size adjustment With switch Volume adjustable**

User Manual

File Version: V23.10.31



SA7602B using the standard ,easy access to PLC , DCS and other instruments or systems for monitoring 声光报警 state quantities.The internal use of high-precision sensing core and related devices to ensure high reliability and excellent long-term stability,can be customized

RS232,RS485,CAN,4-20mA,DC0~5V\10V,ZIGBEE,Lora,WIFI,GPRS and other output methods.

Technical Parameters

| Technical parameter | Parameter value |
|---------------------|-----------------|
| Brand | SONBEST |
| Power | DC12~24V 1A |
| Running temperature | -30~85℃ |
| Working humidity | 5%RH~90%RH |

Product Size



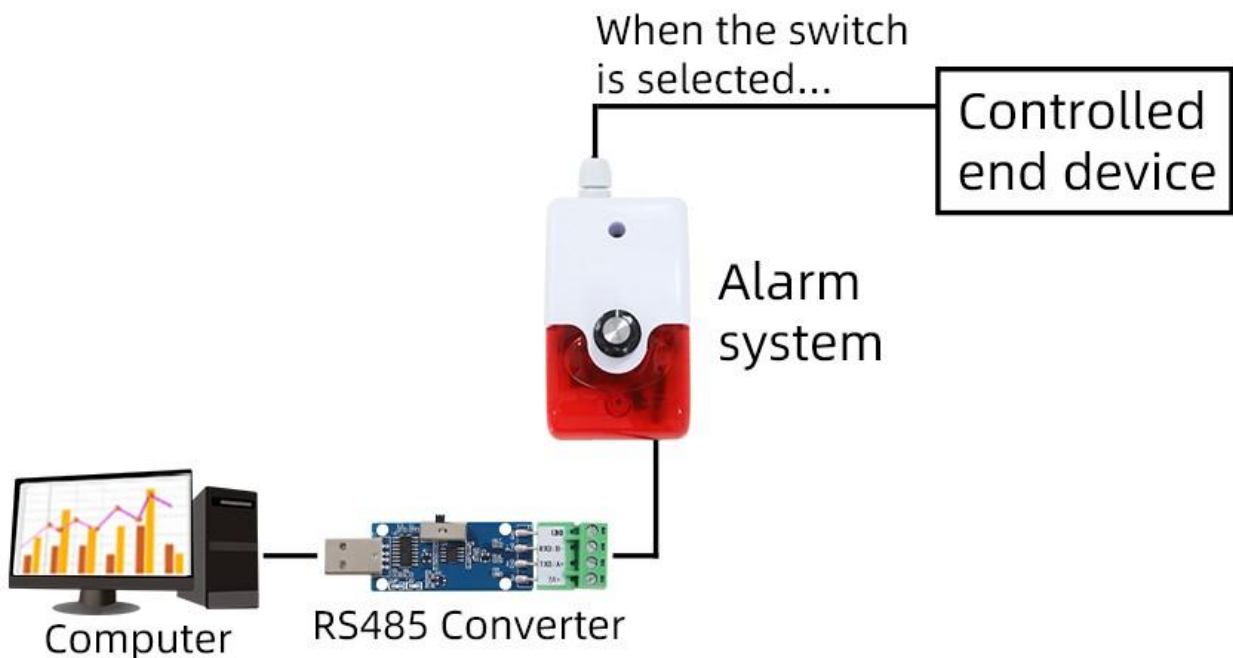
In the case of broken wires, wire the wires as shown in the figure. If the product itself has no leads, the core color is for reference.

How to use?

The alarm can be turned off by the knob, and the volume intensity can be adjusted when turned on. The analog knob has stepless volume adjustment for a variety of working environments.



Application solution



Product List



RS485 audible and visual alarm



Switch audible and visual alarm



Reminder card



Certificate

Disclaimer

This document provides all information about the product, does not grant any license to intellectual property, does not express or imply, and prohibits any other means of granting any intellectual property rights, such as the statement of sales terms and conditions of this product, other issues. No liability is assumed. Furthermore, our company makes no warranties, express or implied, regarding the sale and use of this product, including the suitability for the specific use of the product, the marketability or the infringement liability for any patent, copyright or other intellectual property rights, etc. Product specifications and product descriptions may be modified at any time without notice.

Contact Us

Company: Shanghai Sonbest Industrial Co., Ltd

Address: Building 8, No.215 North east road, Baoshan District, Shanghai, China

Web: <http://www.sonbest.com>

Web: <http://www.sonbus.com>

SKYPE: soobuu

Email: sale@sonbest.com

Tel: 86-021-51083595 / 66862055 / 66862075 / 66861077