

SD6787N

Wireless tower crane wind speed alarm

User Manual

File Version: V23.7.30

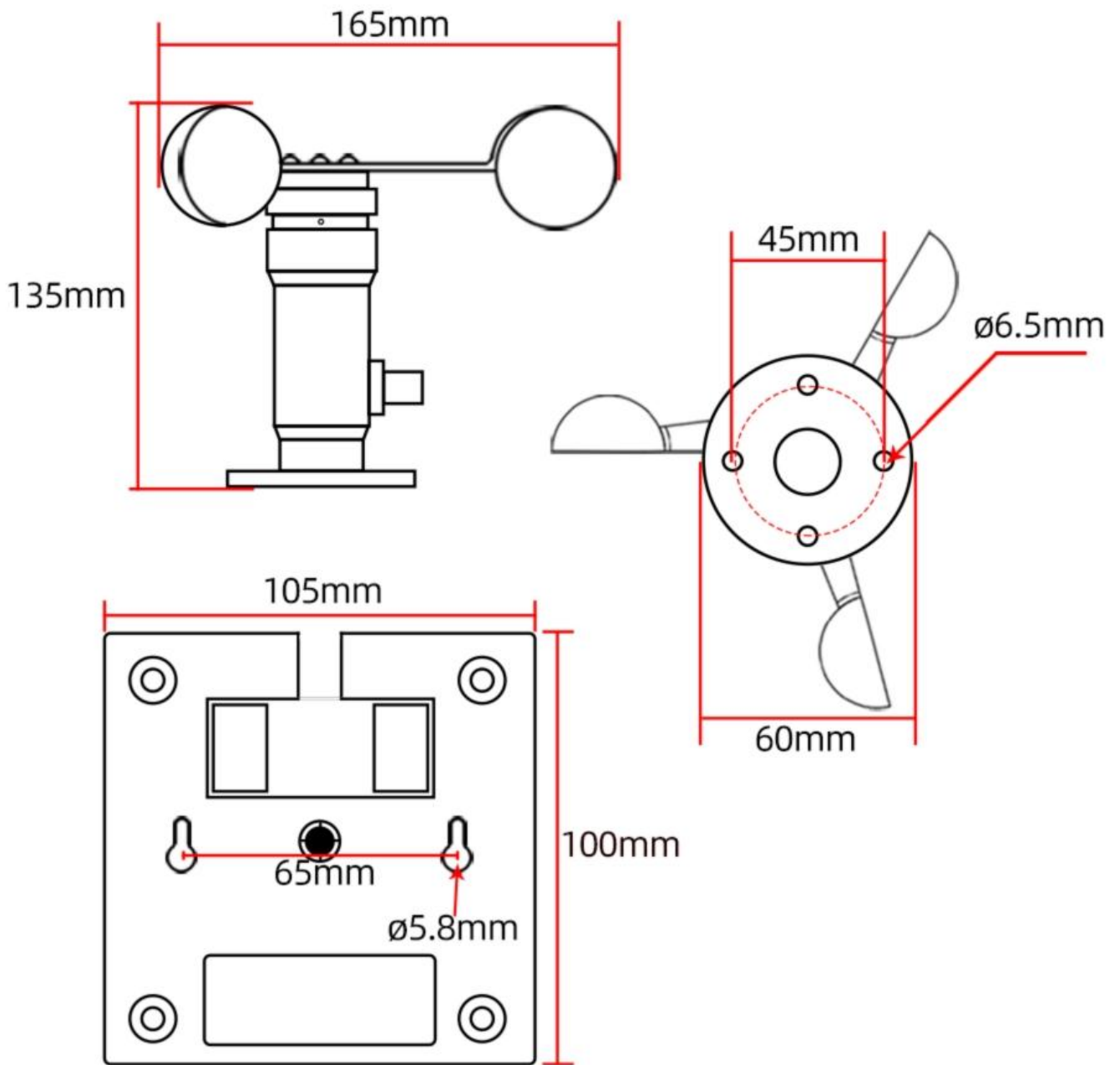


SD6787N using the standard NB-IOT Wireless Interface, easy access to PLC, DCS and other instruments or systems for monitoring wind speed state quantities. The internal use of high-precision sensing core and related devices to ensure high reliability and excellent long-term stability, can be customized RS232, RS485, CAN, 4-20mA, DC0~5V\10V, ZIGBEE, Lora, WIFI, GPRS and other output methods.

Technical Parameters

Technical parameter	Parameter value
Brand	SONBEST
Wind speed range	0~30m/s
Start wind	0.2m/s
Wind speed accuracy	±3%
Shell material	aluminum
Applicable area	China
Default rate	115200kbps
Network frequency band	LTD-TDD:B1/B3/B5/B8
Network protocol	TCP/UDP/HTTP/HTTPS/PING/LWM2M/COAP/ONENET
SIM card	support 1.8/3V
Antenna interface	IPX
How to use	serial AT command configuration
Peak current	300mA
Standby current	<20mA
Power	DC5~24V 1A
Running temperature	-30~85°C

Product Size



KEY POSITION AND SCREEN DISPLAY DESCRIPTION

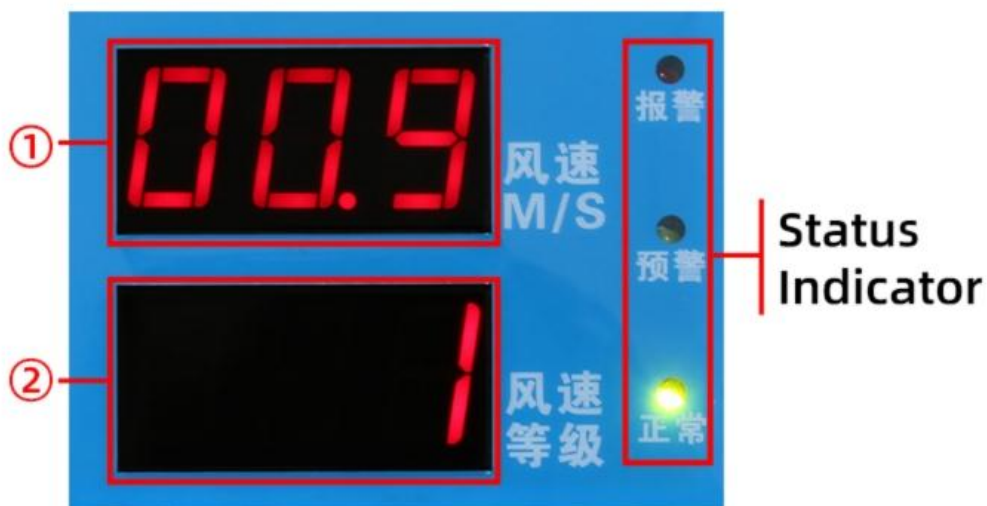


SET :Set up

▲ :Up

▼ :Down/Pause timing

ENTER :Shift



- ① Wind speed display
you can press SET to set the upper limit of wind speed
- ② Wind display

INTERFACE INSTRUCTIONS

When the sensor data signal is received and reaches the upper alarm threshold
 The interface background will turn red
 Below the upper threshold, the interface background will return to blue



The upper row shows the current wind speed and wind level

The lower row is the alarm status and alarm switch status

Graph

The maximum wind speed and the minimum wind speed can be viewed on the mobile phone

The alarm switch is responsible for controlling the user's external alarm

The arm switch is responsible for controlling the alarm

When alarming, after turning off the arm switch, the alarm sound will be turned off

In the case of broken wires, wire the wires as shown in the figure. If the product itself has no leads, the core color is for reference.

How to use?

WIRELESS TOWER CRANE WIND SPEED ALARM CAN BE WIDELY USED IN TRANSPORT PORTS, WEATHER MONITORING, TOWER CRANE WORK, CONSTRUCTION SITES, PUBLIC ENVIRONMENT AND OTHER SCENES



Application solution



Product List



TOWER CRANE WIND SPEED ALARM (INCLUDING POWER SUPPLY, SENSORS, HOST)



Warm Reminder card



Certificate

Disclaimer

This document provides all information about the product, does not grant any license to intellectual property, does not express or imply, and prohibits any other means of granting any intellectual property rights, such as the statement of sales terms and conditions of this product, other issues. No liability is assumed. Furthermore, our company makes no warranties, express or implied, regarding the sale and use of this product, including the suitability for the specific use of the product, the marketability or the infringement liability for any patent, copyright or other intellectual property rights, etc. Product specifications and product descriptions may be modified at any time without notice.

Contact Us

Company: Shanghai Sonbest Industrial Co., Ltd

Address: Building 8, No.215 North east road, Baoshan District, Shanghai, China

Web: <http://www.sonbest.com>

Web: <http://www.sonbus.com>

SKYPE: soobuu

Email: sale@sonbest.com

Tel: 86-021-51083595 / 66862055 / 66862075 / 66861077