

SD6788B

LED display pipe stop gas alarm, no wind delay alarm for ventilation system

User Manual

File Version: V23.7.30



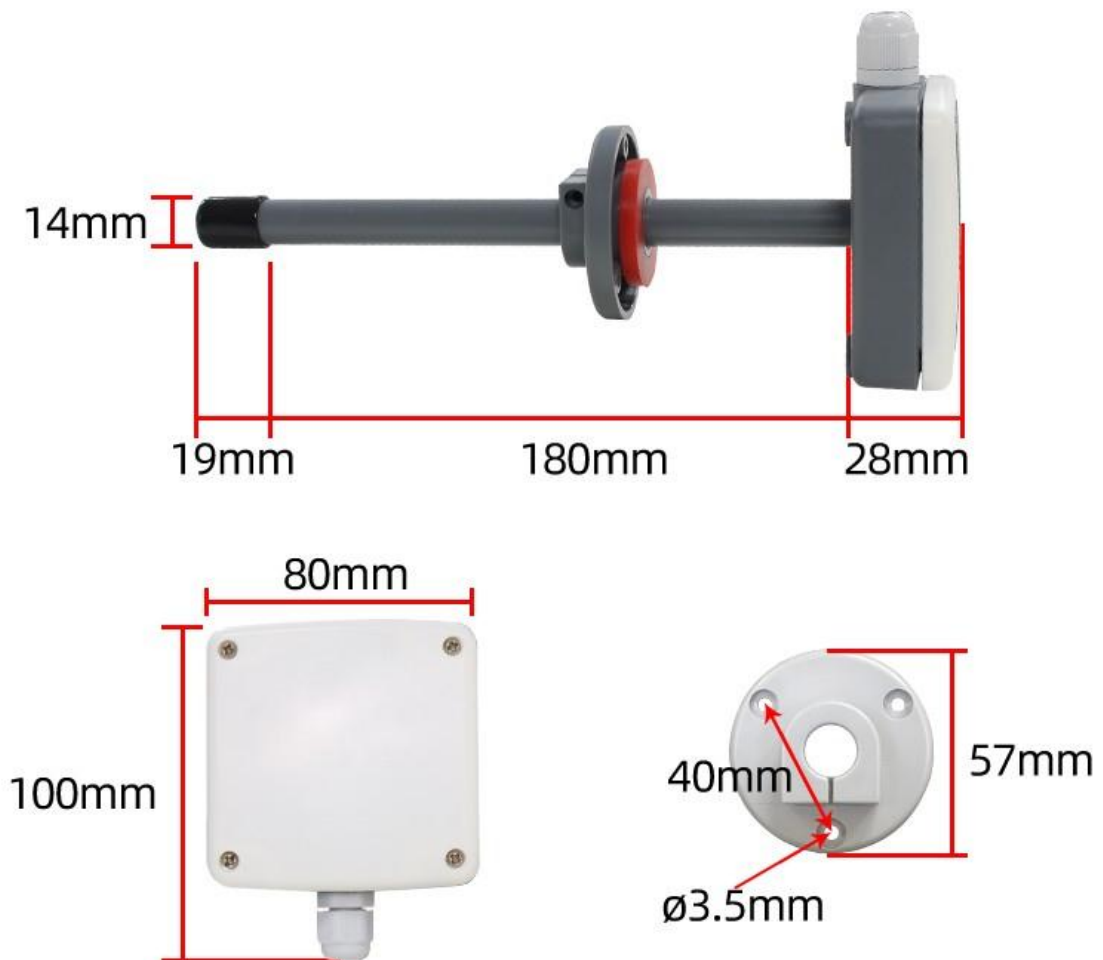
SD6788B using the standard ,easy access to PLC , DCS and other instruments or systems for monitoring wind speed,temperature,humidity,RS485 state quantities.The internal use of high -precision sensing core and related devices to ensure high reliability and excellent long-term stability,can be

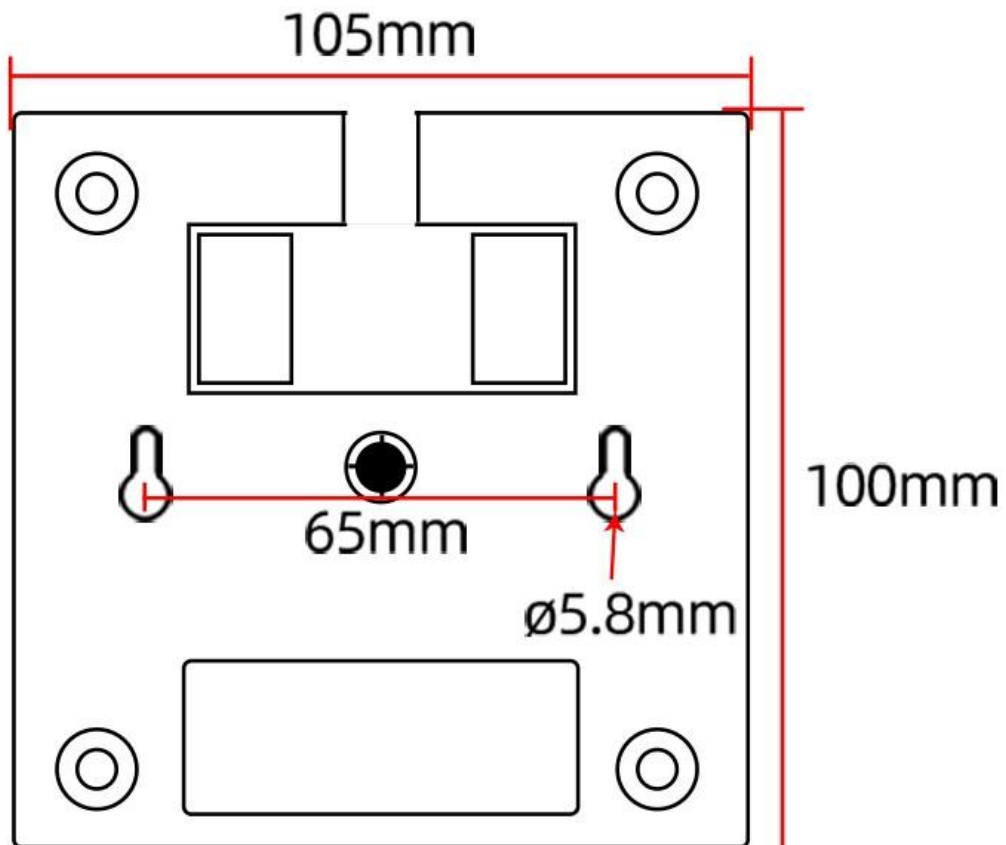
customized RS232,RS485,CAN,4-20mA,DC0~5V\10V,ZIGBEE,Lora,WIFI,GPRS and other output methods.

Technical Parameters

Technical parameter	Parameter value
Brand	SONBEST
Wind speed range	0~30m/s
Start wind	0.2m/s
Wind speed accuracy	±3%
Shell material	aluminum
Temperature measuring range	-30°C~80°C
Temperature measuring accuracy	±0.5°C @25°C
RS485	A+ B-
Power	DC6~24V 1A
Running temperature	-30~85°C
Working humidity	5%RH~90%RH

Product Size





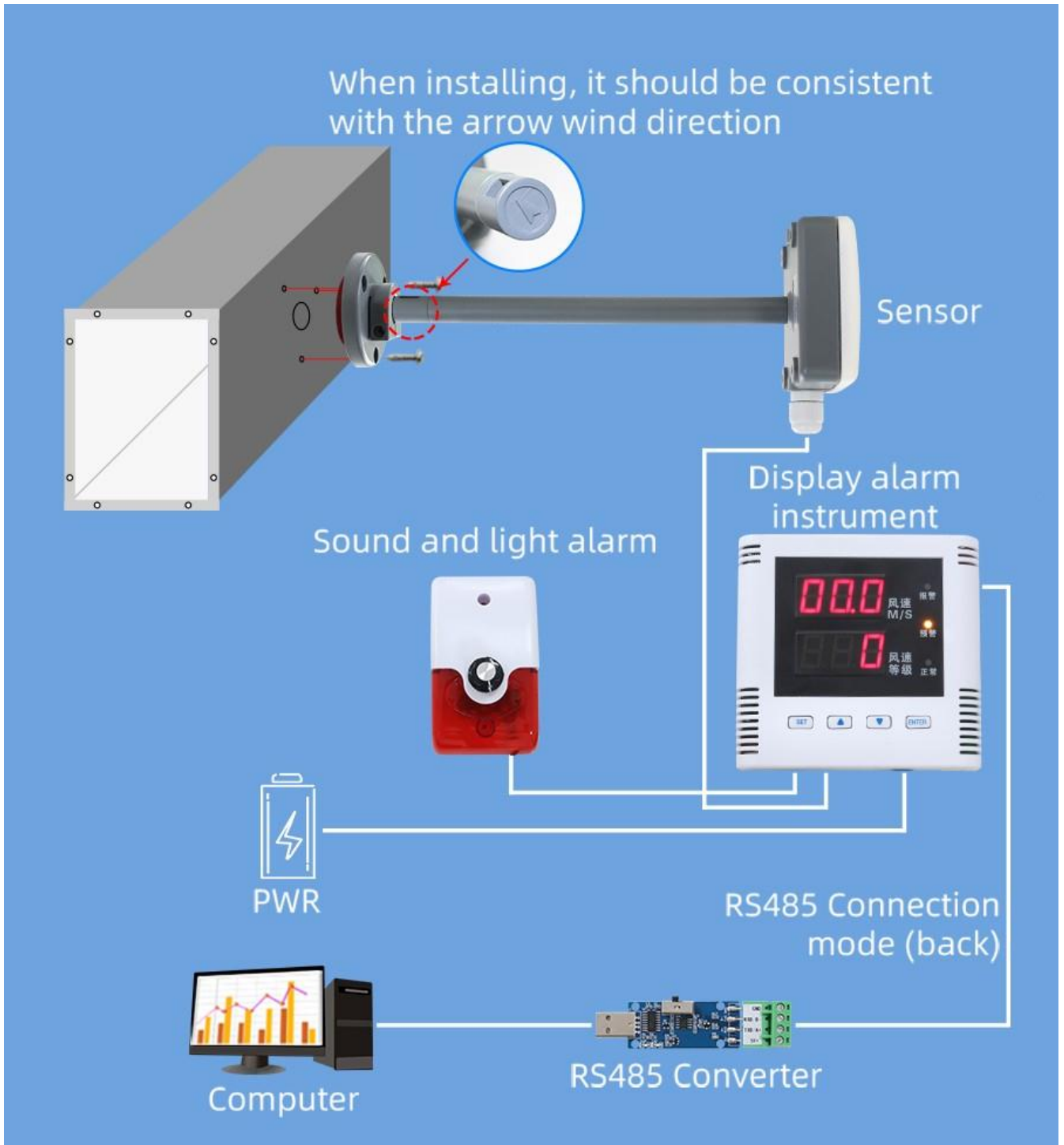
In the case of broken wires, wire the wires as shown in the figure. If the product itself has no leads, the core color is for reference.

How to use?

No wind delay alarm can be widely used in wind speed measurement in construction machinery, railways, ports, docks, power plants, meteorology, cableway, wind power generation, ships, tower cranes, energy-saving monitoring, agriculture, clean spaces and other fields



Application solution



Product List



**Alarm display
(Built-in alarm buzzer)**



**Pipeline wind speed
sensor**



**Sound and light alarm
(Adjustable volume)**



9V Power supply



Warm reminder card



Certificate of conformity

Disclaimer

This document provides all information about the product, does not grant any license to intellectual property, does not express or imply, and prohibits any other means of granting any intellectual property rights, such as the statement of sales terms and conditions of this product, other issues. No liability is assumed. Furthermore, our company makes no warranties, express or implied, regarding the sale and use of this product, including the suitability for the specific use of the product, the marketability or the infringement liability for any patent, copyright or other intellectual property rights, etc. Product specifications and product descriptions may be modified at any time without notice.

Contact Us

Company: Shanghai Sonbest Industrial Co., Ltd

Address: Building 8, No. 215 North east road, Baoshan District, Shanghai, China

Web: <http://www.sonbest.com>

Web: <http://www.sonbus.com>

SKYPE: soobuu

Email: sale@sonbest.com

Tel: 86-021-51083595 / 66862055 / 66862075 / 66861077