

SLHT

Temperature and humidity sensor module

User Manual

File Version: V23.8.3



SLHT using the standard ,easy access to PLC, DCS and other instruments or systems for monitoring _11_15_20_21_25_30_31_35 state quantities.The internal use of high-precision sensing core and related devices to ensure high reliability and excellent long-term stability,can be customized RS232,RS485,CAN,4-20mA,DC0~5V10V,ZIGBEE,Lora,WIFI,GPRS and other output methods.

Technical Parameters

Technical parameter	Parameter value
Brand	SONBEST
Built-in imported chip	SHT10\SHT20\SHT30(optional)
Temperature measurement range	-30℃~80℃
Temperature measurement accuracy	±0.2~0.5℃ @25℃
Humidity measurement range	0~100%RH
Humidity Measurement Accuracy	±1.8~4.5%RH @25℃
Power	DC2.4~3.6V

Product Selection

Product Design SLHT series, according to the different models of the built-in imported SHT chip, the products are divided into the following models.

Product model	built-in chip
SLHT-1	SHT10
SLHT-2	SHT11
SLHT-3	SHT15
SLHT-6	SHT20
SLHT-7	SHT21
SLHT-8	SHT25
SLHT-9	SHT30

Product Size



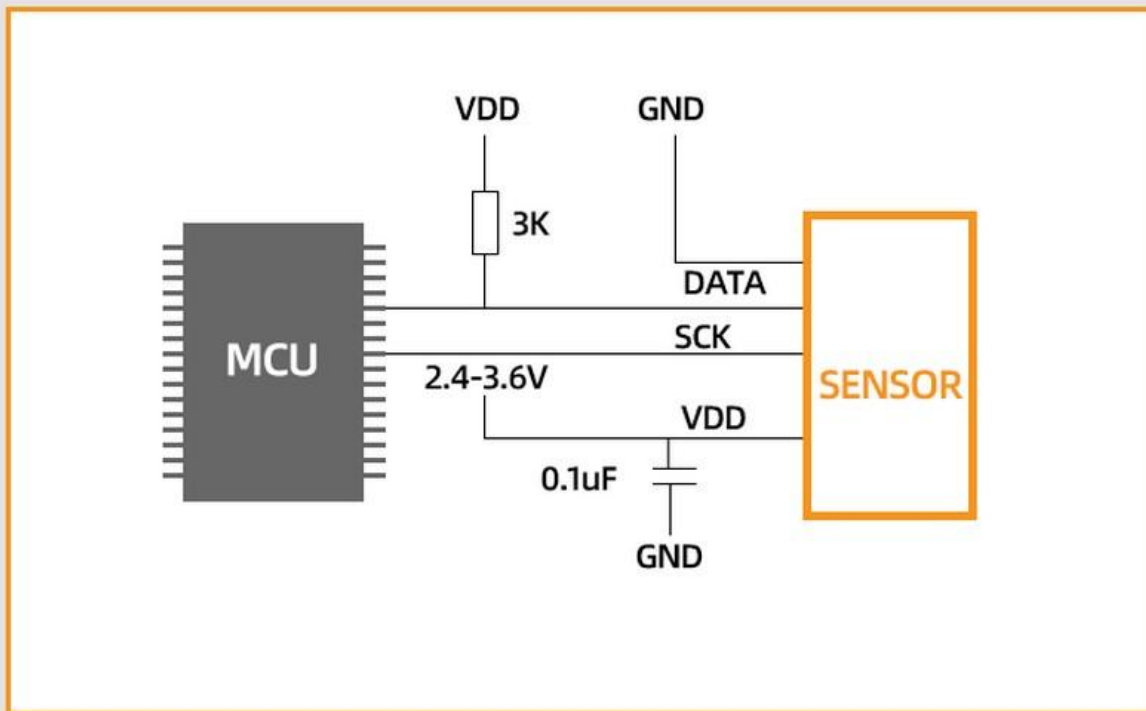
Wiring instructions

In the case of broken wires, wire the wires as shown in the figure. If the product itself has no leads, the core color is for reference.

How to use?



Application solution



THE PRODUCT FUNCTION AND USAGE METHOD ARE CONSISTENT WITH SHT20 OR SHT30 CHIPS. NEEDIT CAN ONLY BE USED BY PROGRAMMING OR CONNECTING THE CORRESPONDING MODULE

Product List



Temperature and humidity sensor (without converter)

Disclaimer

This document provides all information about the product, does not grant any license to intellectual property, does not express or imply, and prohibits any other means of granting any intellectual property rights, such as the statement of sales terms and conditions of this product, other issues. No liability is assumed. Furthermore, our company makes no warranties, express or implied, regarding the sale and use of this product, including the suitability for the specific use of the product, the marketability or the infringement liability for any patent, copyright or other intellectual property rights, etc. Product specifications and product descriptions may be modified at any time without notice.

Contact Us

Company: Shanghai Sonbest Industrial Co., Ltd

Address: Building 8, No.215 North east road, Baoshan District, Shanghai, China

Web: <http://www.sonbest.com>

Web: <http://www.sonbus.com>

SKYPE: soobuu

Email: sale@sonbest.com

Tel: 86-021-51083595 / 66862055 / 66862075 / 66861077