

SM3572

fox sensor

User Manual

File Version: V22.5.18



SM3572 using the standard ,easy access to PLC , DCS and other instruments or systems for monitoring conductivity state quantities.The internal use of high-precision sensing core and related devices to ensure high reliability and excellent long-term stability,can be customized

RS232,RS485,CAN,4-20mA,DC0~5V\10V,ZIGBEE,Lora,WIFI,GPRS and other output methods.

Technical Parameters

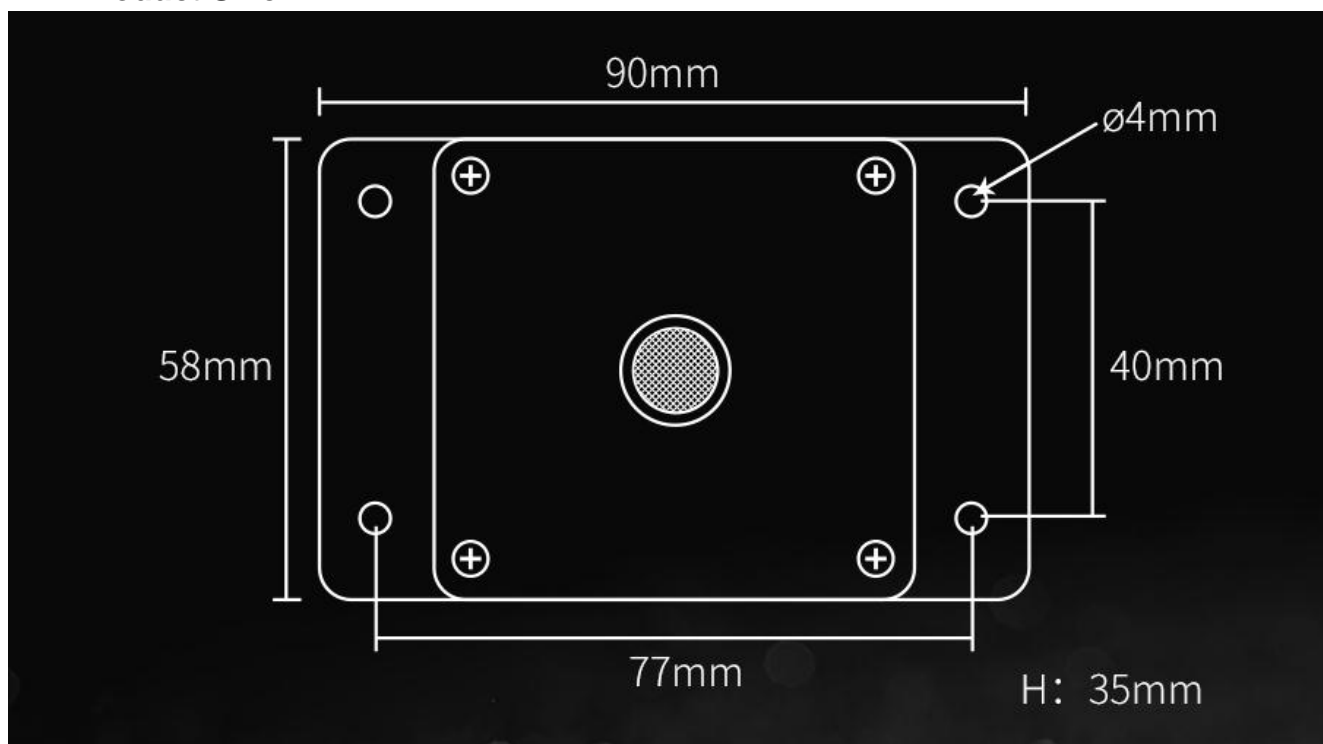
Technical parameter	Parameter value
Brand	SONBEST
Smoke measuring range	0~5000ppm
Smoke allow deviation	±7%
Smoke Repeatability test	±5%
Smoke detection chip	Import digital
Temperature characteristics	±0.5%/°C
Interface	RS485/4-20mA/DC0-5V
Power	DC12~24V 1A
Running temperature	-40~80°C
Working humidity	5%RH~90%RH

Product Selection

Product Design RS485,4-20mA,DC0-5V Multiple output methods, the products are divided into the following models depending on the output method.

Product model	output method
SM3572B	RS485 总线
SM3572M	4-20mA
SM3572V5	DC0-5V

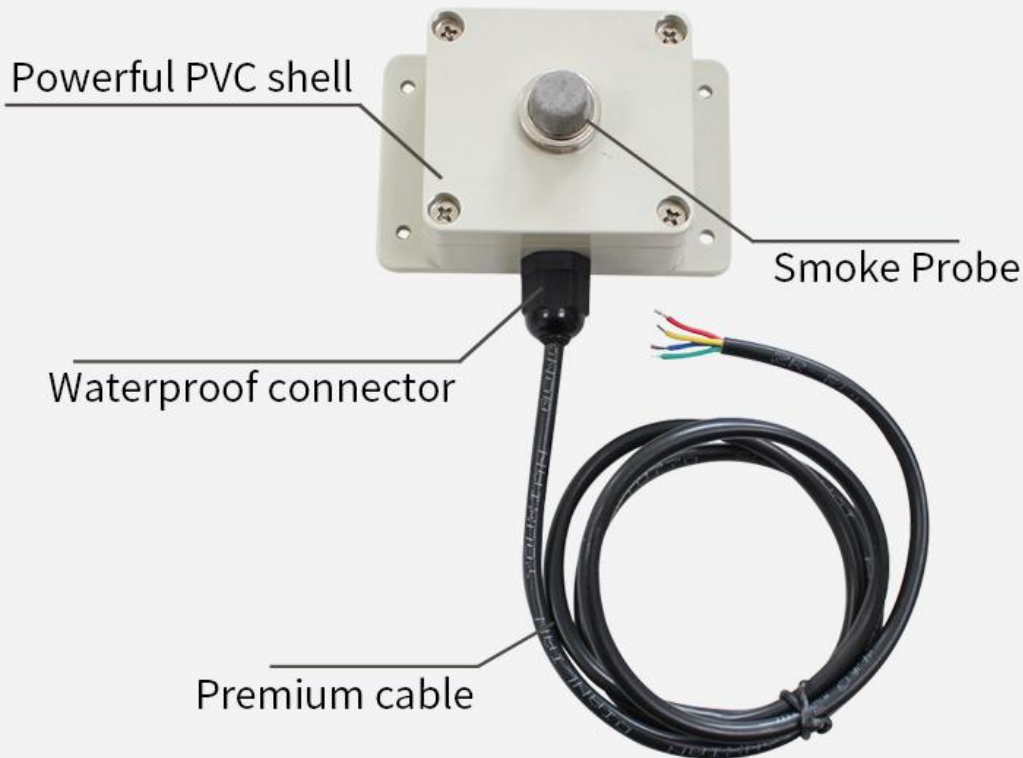
Product Size



How to wiring?

SIMPLE LAYOUT AT A GLANCE

Using PVC material, not easy to corrode, deform, beautiful



RS485 wiring method

█	RD	PWR+
█	GN	PWR-
█	YE	RS485 A+
█	BU	RS485 B-

4-20mA wiring method

█	RD	PWR+
█	BK	PWR-
█	BU	mA output

Calculation formula:
 $W_{smoke} = (I - 4mA) \times 5000 / 16$

Application solution

RS485 wiring method

Smoke sensor

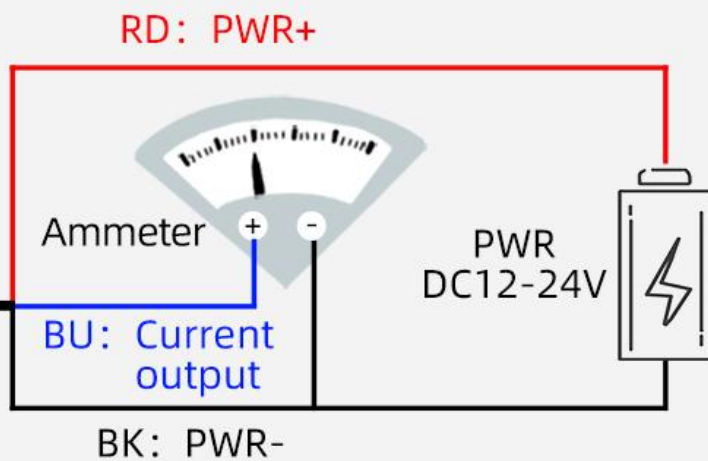


RS485 converter

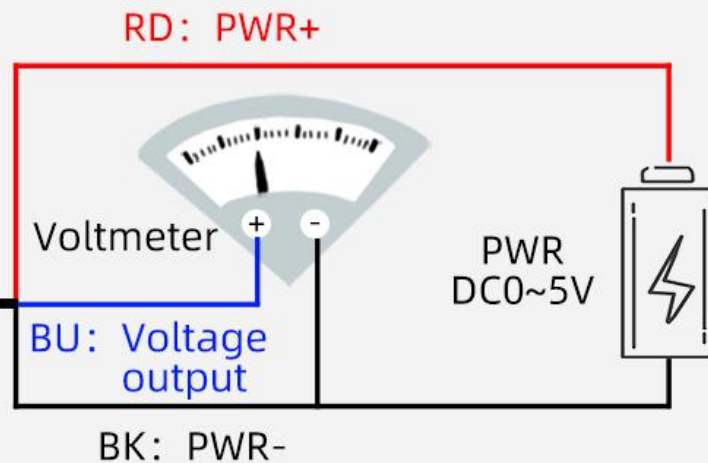


Computer side

4-20mA wiring



0~5V wiring



How to use?



■ **Hospital** ———

There is a large flow of people, and emergency measures can be taken before a disaster occurs.

————— **Market** ■

Places with a wide variety of goods can not only protect personal safety, but also protect relative property after early warning.



■ **Warehouse** ———

The amount of goods is huge. After the warning, the source of the fire can be quickly found and the huge property loss can be reduced.



Communication Protocol

The product uses RS485 MODBUS-RTU standard protocol format, all operation or reply commands are hexadecimal data. The default device address is 1 when the device leaves the factory, and the default baud rate is 9600,8,n,1 .

1. Read data (function code 0x03)

Inquiry frame (hexadecimal), sending example: query 1 data of 1# device, the upper computer sends the command: 01 03 00 00 00 01 84 0A .

Address	Function Code	Start Address	Data Length	Check Code
01	03	00 00	00 01	84 0A

For the correct query frame, the device will respond with data: 01 03 02 00 79 79 A6 , response format:

Address	Function Code	Length	Data 1	Check Code
01	03	02	00 79	79 A6

Data description: The data in the command is hexadecimal, take data 1 as an example, 00 79 is converted to decimal value is 121, for general Sobo products, the temperature and humidity data magnification is 100, and the light data The magnification is 1 or 10. The data magnification of this product is 1, the real value is: $121/1=121$, and so on.

2. Common data address table

Configuration Address	Register Address	Register Description	Data Type	Value Range
40001	00 00	conductivity	Read Only	0~65535
40101	00 64	Model Code	Read/Write	0~65535
40102	00 65	total number of measuring points	read/write	1~20
40103	00 66	device address	read/write	1~249
40104	00 67	baud rate	read/write	0~6
40105	00 68	communication mode	read/write	1~4
40106	00 69	protocol type	read/write	1~10

3 Read and modify device address

(1) Read or query device address

If you don't know the current device address and there is only one device on the bus, you can query the device address through the command FA 03 00 66 00 01 71 9E .

Device Address	Function Code	Start Address	Data Length	Check Code
FA	03	00 66	00 01	71 9E

FA means 250 is the general address, when you don't know the address, you can use 250 to get the real device address, 00 66 is the device address register.

For the correct query command, the device will respond, for example, the response data is: 01 03 02 00 01 79 84, and its format parsing is shown in the following table:

Device Address	Function Code	Start Address	Model Code	Check Code
01	03	02	00 01	79 84

In the response data, the first byte 01 represents the real address of the current device.

(2) Change device address

For example, if the current device address is 1 and we want to change it to 02, the command is: 01 06 00 66 00 02 E8 14 .

Device Address	Function Code	Register Address	Target Address	Check Code
01	06	00 66	00 02	E8 14

After the change is successful, the device will return the information: 02 06 00 66 00 02 E8 27 , and its format analysis is shown in the following table:

Device Address	Function Code	Register Address	Target Address	Check Code
02	06	00 66	00 02	E8 27

In the response data, after the modification is successful, the first byte is the new device address. Generally, after the device address is changed, it will take effect immediately. At this time, the user needs to change the query command of his software accordingly. .

4 Read and modify baud rate

(1) Read baud rate

The default factory baud rate of the device is 9600. If you need to change it, you can change it according to the following table and the corresponding communication protocol. For example, to read the baud rate ID of the current device, the command is: 01 03 00 67 00 01 35 D5 , the format is parsed as follows.

Device Address	Function Code	Start Address	Data Length	Check Code
01	03	00 67	00 01	35 D5

Read the baud rate code of the current device. Baud rate code: 1 is 2400; 2 is 4800; 3 is 9600; 4 is 19200; 5 is 38400; 6 is 115200.

For the correct query command, the device will respond, for example, the response data is: 01 03 02 00 03 F8 45, and its format analysis is shown in the following table:

Device Address	Function Code	Data Length	Baud Rate Code	Check Code
01	03	02	00 03	F8 45

According to the baud rate code, 03 is 9600, that is, the baud rate of the current device is 9600.

(2) Change the baud rate

For example, change the baud rate from 9600 to 38400, that is, change the code from 3 to 5, the command is: 01 06 00 67 00 05 F8 16 .

Device Address	Function Code	Register Address	Target Baud Rate	Check Code
01	06	00 67	00 05	F8 16

Change the baud rate from 9600 to 38400, that is, change the code from 3 to 5. The new baud rate will take effect immediately, and the device will lose response at this time, and the baud rate of the device needs to be checked accordingly Modified.

5 Read and modify correction value

(1) Read correction value

When there is an error between the data and the reference standard, we can reduce the display error by adjusting the correction value. The correction difference can be modified in a range of plus or minus 1000, that is, the value range is 0-1000 or 64535 -65535. For example, when the displayed value is too small by 100, we can correct it by adding 100. The command is: 01 03 00 6B 00 01 F5 D6 . In the command, 100 is hexadecimal 0x64 ;If you need to reduce it, you can set a negative value, such as -100, the corresponding hexadecimal value is FF 9C, the calculation method is 100-65535=65435, and then converted to hexadecimal, it is 0x FF 9C. Device The correction value starts from 00 6B. We take the first parameter as an example to illustrate. When there are multiple parameters, the correction value is read and modified in the same way.

Device Address	Function Code	Start Address	Data Length	Check Code
01	03	00 6B	00 01	F5 D6

For the correct query command, the device will respond, for example, the response data is: 01 03 02 00 64 B9 AF, and its format parsing is shown in the following table:

Device Address	Function Code	Data Length	Correction Value	Check Code
01	03	02	00 64	B9 AF

In the response data, the first byte 01 represents the real address of the current device, and 00 6B is the first state correction value register. If the device has multiple parameters, other parameters operate in the same way as this The same, generally temperature and humidity have this parameter, and lighting generally does not have this parameter.

(2) Change the correction value

For example, if the current state is too small, we want to add 1 to its real value, and add 100 to the current value. The correction operation command is: 01 06 00 6B 00 64 F9 FD .

Device Address	Function Code	Register Address	Target Address	Check Code
01	06	00 6B	00 64	F9 FD

After the operation is successful, the device will return the information: 01 06 00 6B 00 64 F9 FD , after the successful change, the parameters will take effect immediately.

For example, the range is 0~5000ppm, the analog output is 4~20mA current signal, conductivity and current The calculation relationship is as shown in the formula: $C = (A2 - A1) * (X - B1) / (B2 - B1) + A1$, where A2 is conductivity range upper limit, A1 is the lower limit of the range, B2 is current output range upper limit, B1 is the lower limit, X is the currently read conductivity value, and C is the calculated current value. The list of commonly used values is as follows:

current(mA)	conductivityValue (ppm)	Calculation Process
4	0.0	$(5000-0)*(4-4) \div (20-4) + 0$
5	312.5	$(5000-0)*(5-4) \div (20-4) + 0$
6	625.0	$(5000-0)*(6-4) \div (20-4) + 0$
7	937.5	$(5000-0)*(7-4) \div (20-4) + 0$
8	1250.0	$(5000-0)*(8-4) \div (20-4) + 0$
9	1562.5	$(5000-0)*(9-4) \div (20-4) + 0$
10	1875.0	$(5000-0)*(10-4) \div (20-4) + 0$
11	2187.5	$(5000-0)*(11-4) \div (20-4) + 0$
12	2500.0	$(5000-0)*(12-4) \div (20-4) + 0$
13	2812.5	$(5000-0)*(13-4) \div (20-4) + 0$
14	3125.0	$(5000-0)*(14-4) \div (20-4) + 0$
15	3437.5	$(5000-0)*(15-4) \div (20-4) + 0$
16	3750.0	$(5000-0)*(16-4) \div (20-4) + 0$
17	4062.5	$(5000-0)*(17-4) \div (20-4) + 0$
18	4375.0	$(5000-0)*(18-4) \div (20-4) + 0$
19	4687.5	$(5000-0)*(19-4) \div (20-4) + 0$
20	5000.0	$(5000-0)*(20-4) \div (20-4) + 0$

As shown in the above formula, when measuring 8mA, current current is 1254ppm .

For example, the range is 0~5000ppm, the analog output is 0~5V DC0-5Vvoltage signal, conductivity and DC0-5Vvoltage The calculation relationship is as shown in the formula: $C = (A2 - A1) * (X - B1) / (B2 - B1) + A1$, where A2 is conductivity range upper limit, A1 is the lower limit of the range, B2 is DC0-5Vvoltage output range upper limit, B1 is the lower limit, X is the currently read conductivity value, and C is the calculated DC0-5Vvoltage value. The list of commonly used values is as follows:

DC0-5Vvoltage(V)	conductivityValue (ppm)	Calculation Process
0	0.0	$(5000-0)*(0-0) \div (5-0) + 0$
1	1000.0	$(5000-0)*(1-0) \div (5-0) + 0$
2	2000.0	$(5000-0)*(2-0) \div (5-0) + 0$
3	3000.0	$(5000-0)*(3-0) \div (5-0) + 0$

4	4000.0	$(5000-0)*(4-0)\div(5-0)+0$
5	5000.0	$(5000-0)*(5-0)\div(5-0)+0$

As shown in the above formula, when measuring 2.5V, current DC0-5V voltage is 2500ppm.

Disclaimer

This document provides all information about the product, does not grant any license to intellectual property, does not express or imply, and prohibits any other means of granting any intellectual property rights, such as the statement of sales terms and conditions of this product, other issues. No liability is assumed. Furthermore, our company makes no warranties, express or implied, regarding the sale and use of this product, including the suitability for the specific use of the product, the marketability or the infringement liability for any patent, copyright or other intellectual property rights, etc. Product specifications and product descriptions may be modified at any time without notice.

Contact Us

Company: Shanghai Sonbest Industrial Co., Ltd

Address: Building 8, No.215 North east road, Baoshan District, Shanghai, China

Web: <http://www.sonbest.com>

Web: <http://www.sonbus.com>

SKYPE: soobuu

Email: sale@sonbest.com

Tel: 86-021-51083595 / 66862055 / 66862075 / 66861077