

SM3710V

DC0-10V voltage type duct type temperature and humidity sensor

User Manual

File Version: V21.3.24

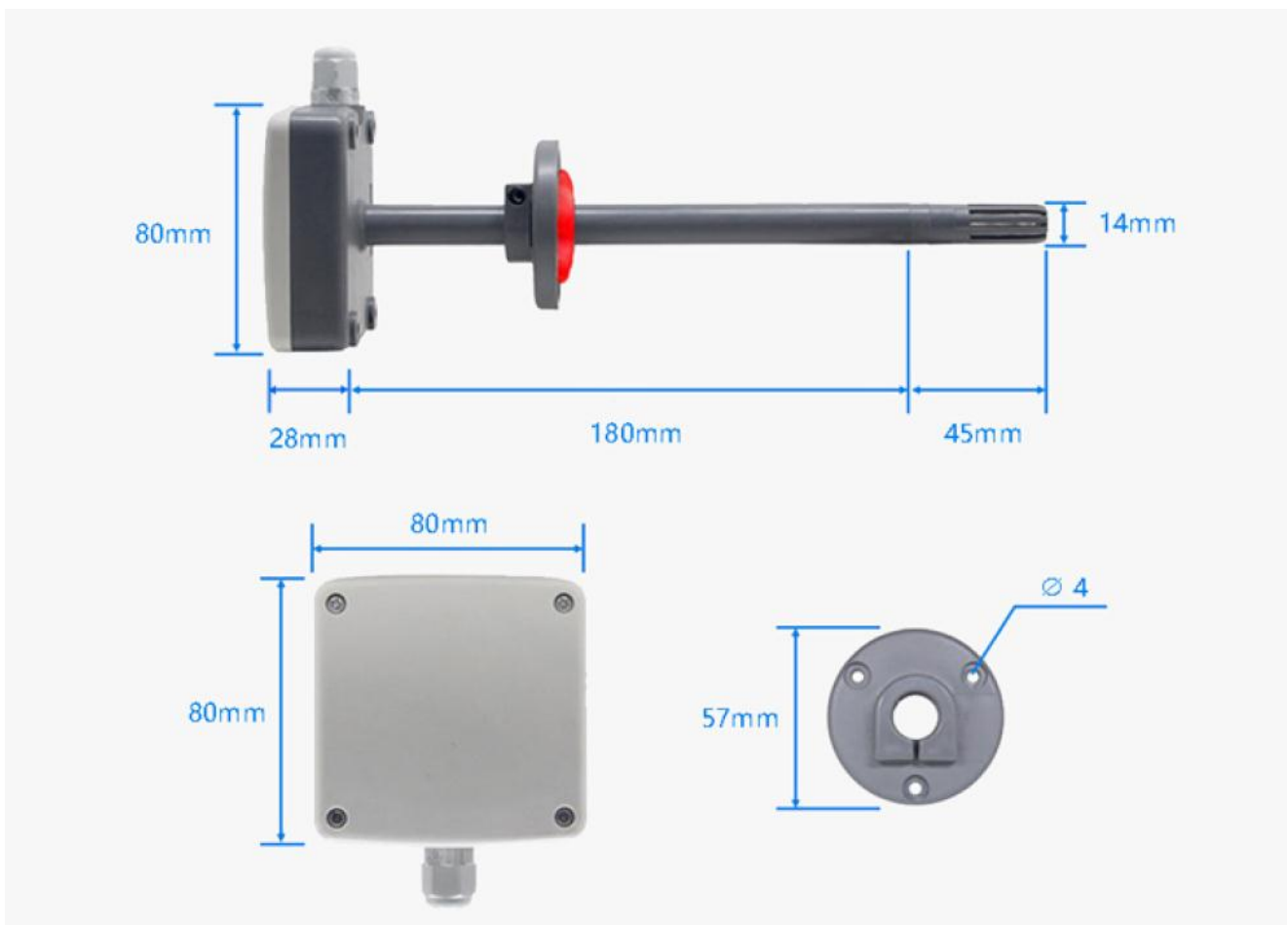


SM3710V using the standard DC0 ~ 10V voltage output signal,easy access to PLC , DCS and other instruments or systems for monitoring temperature,humidity state quantities.The internal use of high-precision sensing core and related devices to ensure high reliability and excellent long-term stability,can be customized RS232,RS485,CAN,4-20mA,DC0~5V10V,ZIGBEE,Lora,WIFI,GPRS and other output methods.

Technical Parameters

Technical parameter	Parameter value
Brand	SONBEST
Temperature measuring range	0~50°C/-20~80°C/-40~60°C
Temperature measuring accuracy	±0.3°C @25°C
Range change mode	DIP switch
Humidity measuring range	0~100%RH
Humidity accuracy	±3%RH @25°C
Output Interface	DC0~10V
Power	DC12~24V 1A
Running temperature	-40~80°C
Working humidity	5%RH~90%RH

Product Size



Wiring instructions

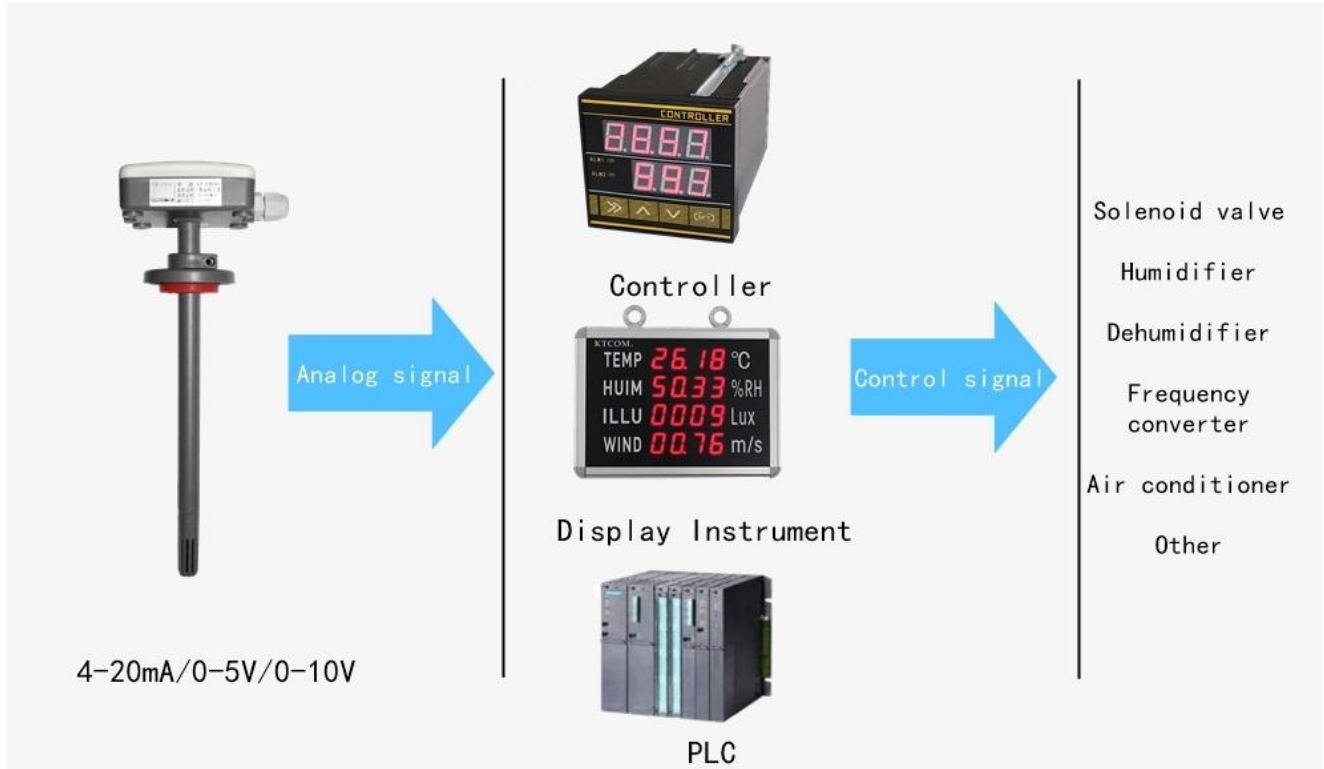
Any incorrect wiring can cause irreversible damage to the product. Please carefully wire the cable as follows in the case of power failure, and then connect the cable to confirm the correctness and then use it again.

ID	Core color	Identification	Note
1	Red	V+	Power V+
2	Green	V-	Power V-
3	Yellow	H+	Humidity output

4	Blue	T+	Temperature output
---	------	----	--------------------

In the case of broken wires, wire the wires as shown in the figure. If the product itself has no leads, the core color is for reference.

How to use?



Disclaimer

This document provides all information about the product, does not grant any license to intellectual property, does not express or imply, and prohibits any other means of granting any intellectual property rights, such as the statement of sales terms and conditions of this product, other issues. No liability is assumed. Furthermore, our company makes no warranties, express or implied, regarding the sale and use of this product, including the suitability for the specific use of the product, the marketability or the infringement liability for any patent, copyright or other intellectual property rights, etc. Product specifications and product descriptions may be modified at any time without notice.

Contact Us

Company: Shanghai Sonbest Industrial Co., Ltd
 Address: Building 8, No.215 North east road, Baoshan District, Shanghai, China
 Web: <http://www.sonbest.com>
 Web: <http://www.sonbus.com>
 SKYPE: soobuu
 Email: sale@sonbest.com
 Tel: 86-021-51083595 / 66862055 / 66862075 / 66861077