

SR9002B

Solar outdoor wireless temperature recorder

User Manual

File Version: V23.5.9

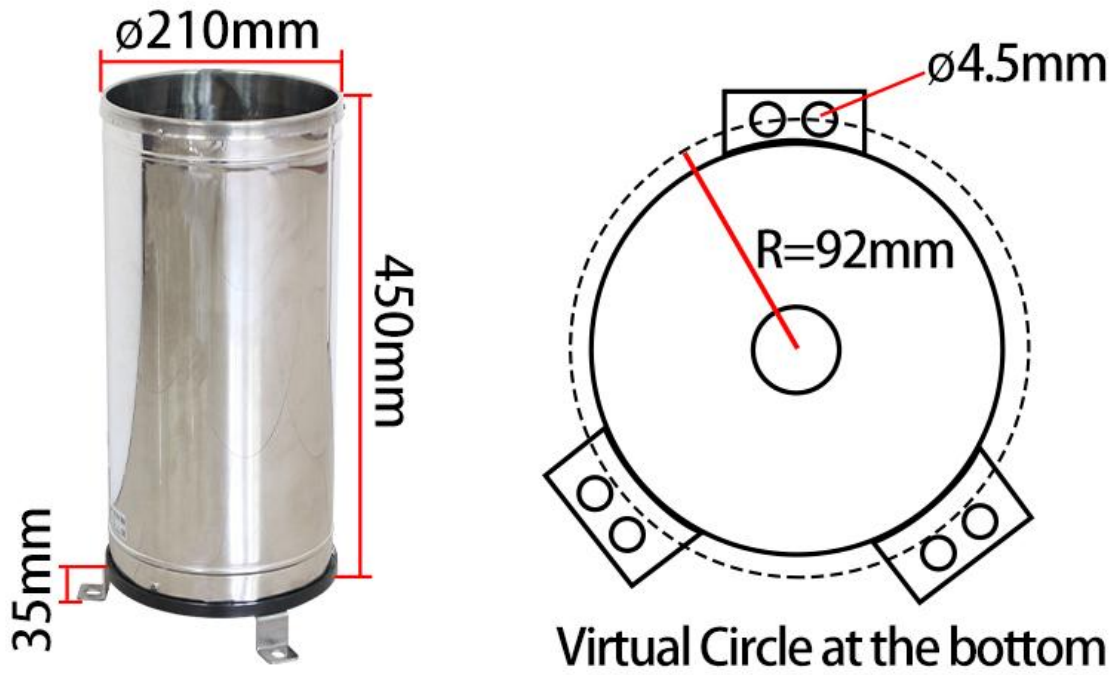


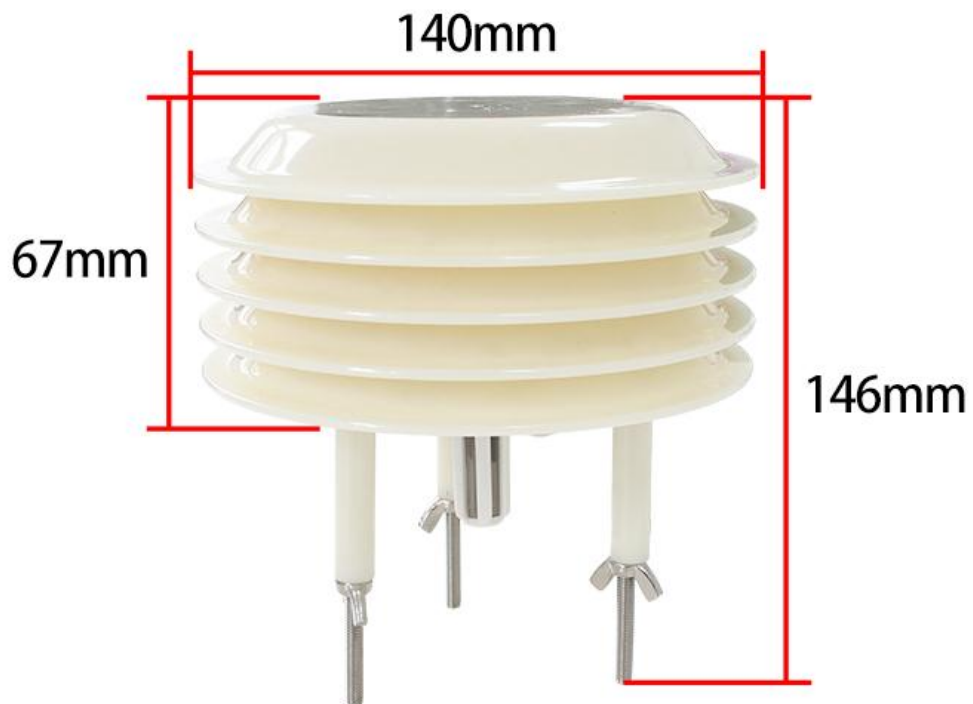
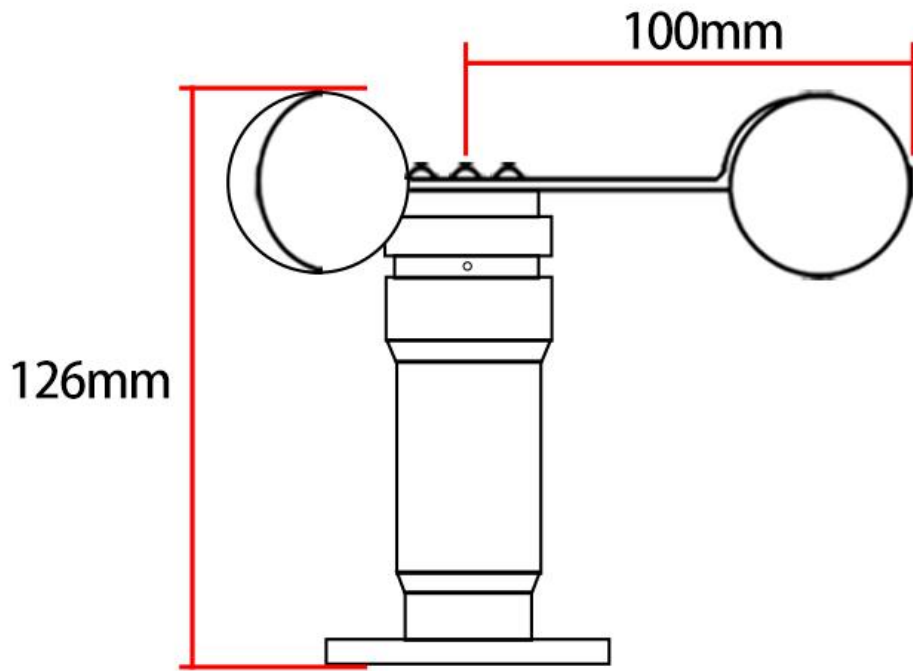
SR9002B using the standard RS485 bus MODBUS-RTU protocol, easy access to PLC, DCS and other instruments or systems for monitoring temperature state quantities. The internal use of high-precision sensing core and related devices to ensure high reliability and excellent long-term stability, can be customized RS232, RS485, CAN, 4-20mA, DC0~5V\10V, ZIGBEE, Lora, WIFI, GPRS and other output methods.

Technical Parameters

Technical parameter	Parameter value
Brand	SONBEST
Temperature measuring range	-30℃~85℃
Temperature measuring accuracy	±0.5℃ @25℃
Communication Interface	RS485
Default baud rate	9600 8 n 1
Power	DC3.3~4.2V
Running temperature	-30~85℃
Working humidity	5%RH~90%RH

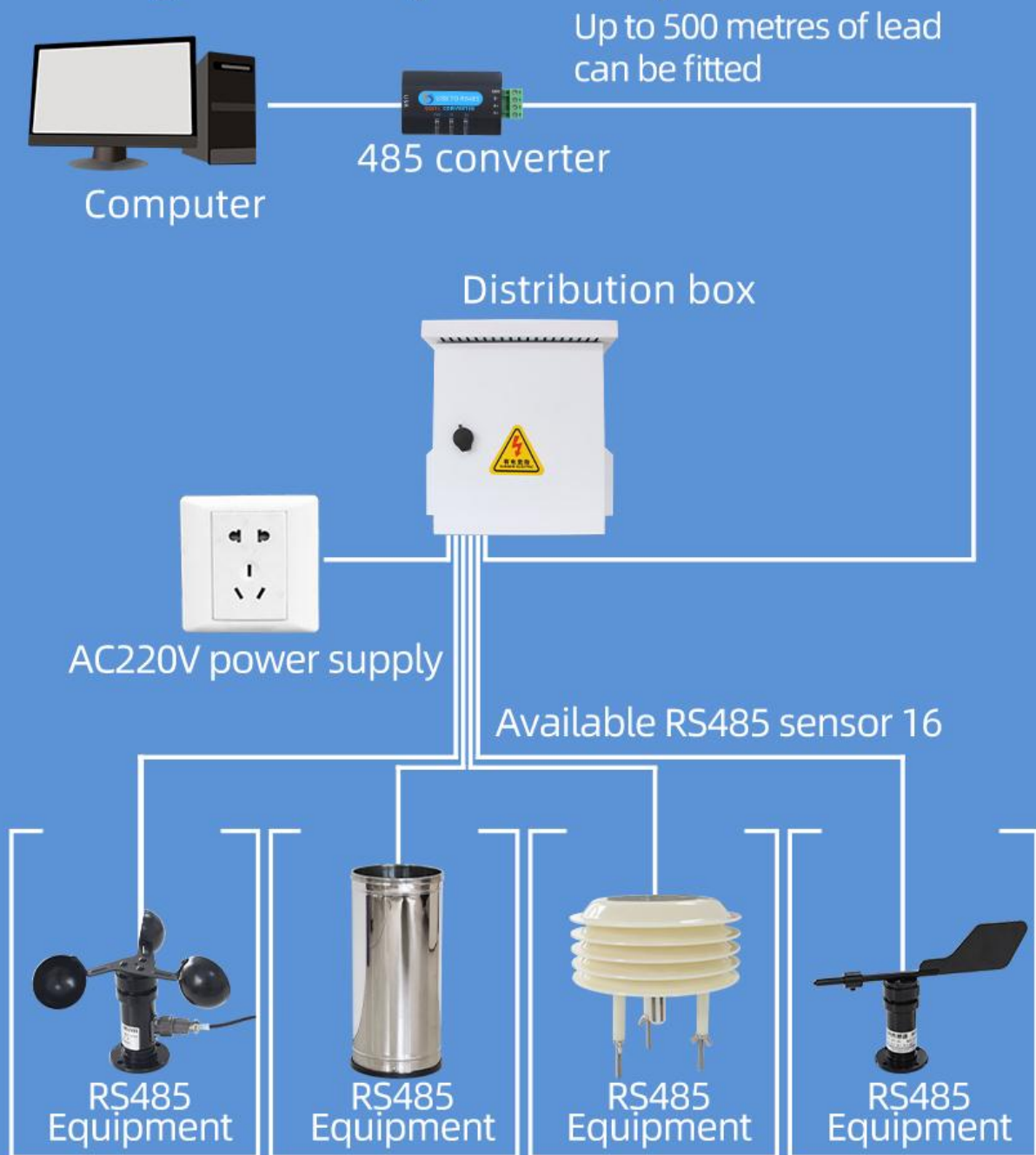
Product Size





Application solution

■ Wiring scheme (standard)



■ Wireless Solutions (custom)



RS485 converter

Up to 500 metres of lead can be fitted

Distribution Box (including wireless module)



Lora Wireless Acquisition Module



Power supply

AC220V power supply



The signal was picked up and sent to...

Available RS485 sensor 16



RS485 Equipment



RS485 Equipment



RS485 Equipment



RS485 Equipment

How to use?

Multi-parameter small weather station can be widely used in weather station, transport terminal, construction site, forestry, grassland pasture and other occasions



Product List



Solar energy infinite temperature recorder



**RS485 sensor
(combined according to user selection)**



Warm Reminder card



Certificate

**Communication Protocol
Disclaimer**

This document provides all information about the product, does not grant any license to intellectual property, does not express or imply, and prohibits any other means of granting any intellectual property rights, such as the statement of sales terms and conditions of this product, other issues. No liability is assumed. Furthermore, our company makes no warranties, express or implied, regarding the sale and use of this product, including the suitability for the specific use of the product, the marketability or the infringement liability for any patent, copyright or other intellectual property rights, etc. Product

specifications and product descriptions may be modified at any time without notice.

Contact Us

Company: Shanghai Sonbest Industrial Co., Ltd

Address: Building 8, No.215 North east road, Baoshan District, Shanghai, China

Web: <http://www.sonbest.com>

Web: <http://www.sonbus.com>

SKYPE: soobuu

Email: sale@sonbest.com

Tel: 86-021-51083595 / 66862055 / 66862075 / 66861077