

SW2190D

SW2190D Wireless wifi illumination and temperature and humi User Manual

File Version: V23.6.30

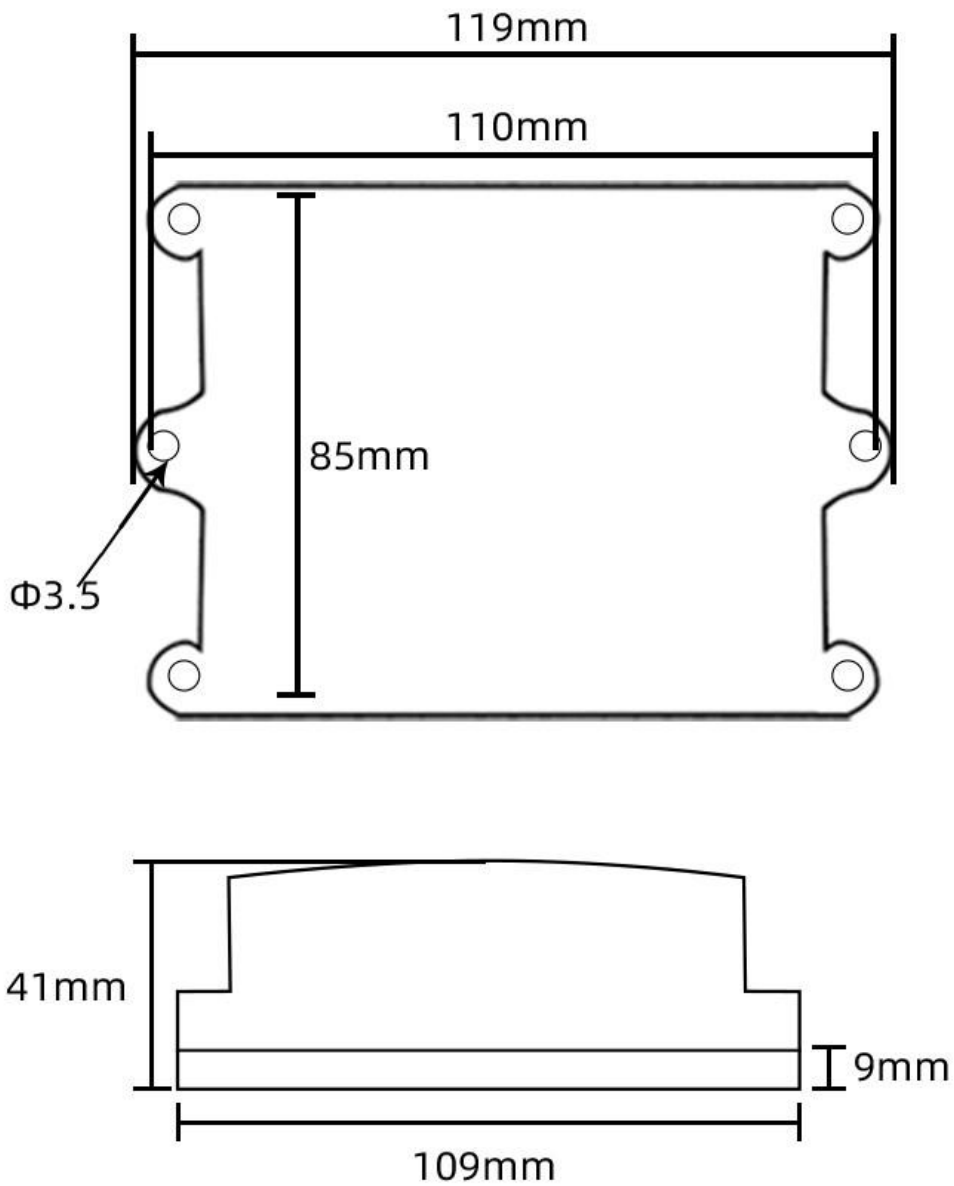


SW2190D using the standard Wireless Interface, easy access to PLC, DCS and other instruments or systems for monitoring illuminance, temperature, humidity state quantities. The internal use of high-precision sensing core and related devices to ensure high reliability and excellent long-term stability, can be customized RS232, RS485, CAN, 4-20mA, DC0~5V/10V, ZIGBEE, Lora, WIFI, GPRS and other output methods.

Technical Parameters

Technical parameter	Parameter value
Brand	SONBEST
Illuminance measuring range	0~65535Lux
Illuminance allow deviation	± 7%
Repeatability test	± 5%
Illuminance detection chip	Import digital
Wavelength range	380nm~730nm
Temperature measuring range	-30℃~85℃
Temperature measuring accuracy	±0.5℃ @25℃
Humidity measuring range	0~100%RH
Humidity accuracy	± 3%RH @25℃
Communication Interface	ZIGBEE
Transmission distance	10~300m
Wireless standard	IEEE 802.11
Frequency Range	2.4~2.4835G
Power	DC9~24V 1A
Running temperature	-30~85℃
Working humidity	5%RH~90%RH

Product Size



Wiring instructions

In the case of broken wires, wire the wires as shown in the figure. If the product itself has no leads, the core color is for reference.

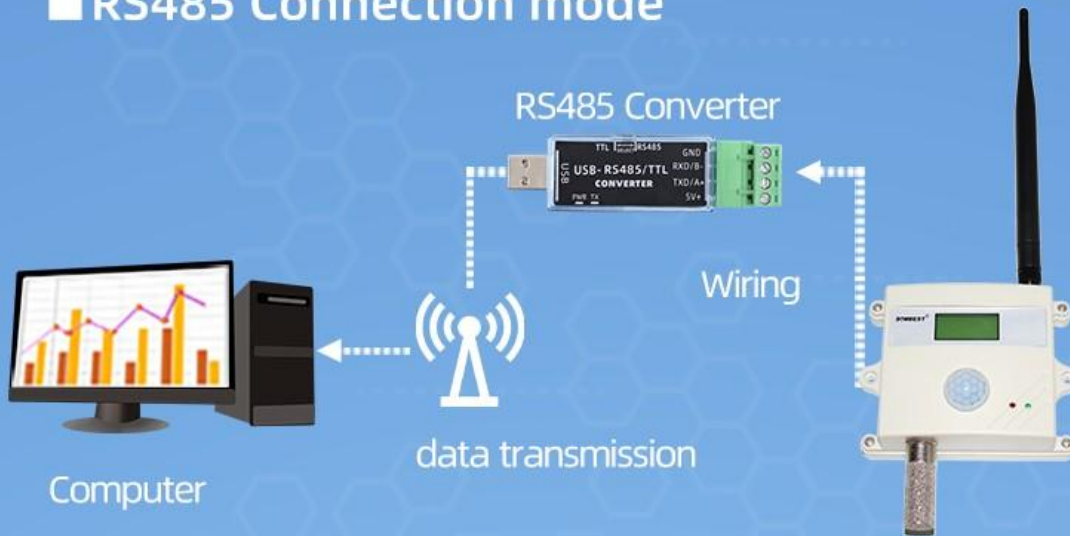
How to use?

The IP65 case is sealed with waterproof strip, moisture-proof is obvious, real-time monitoring every day, applicable to a wide range of efficient detection, stability and reliability, it is widely used in agriculture, forestry, greenhouse cultivation, aquaculture, architectural lighting measurement and research

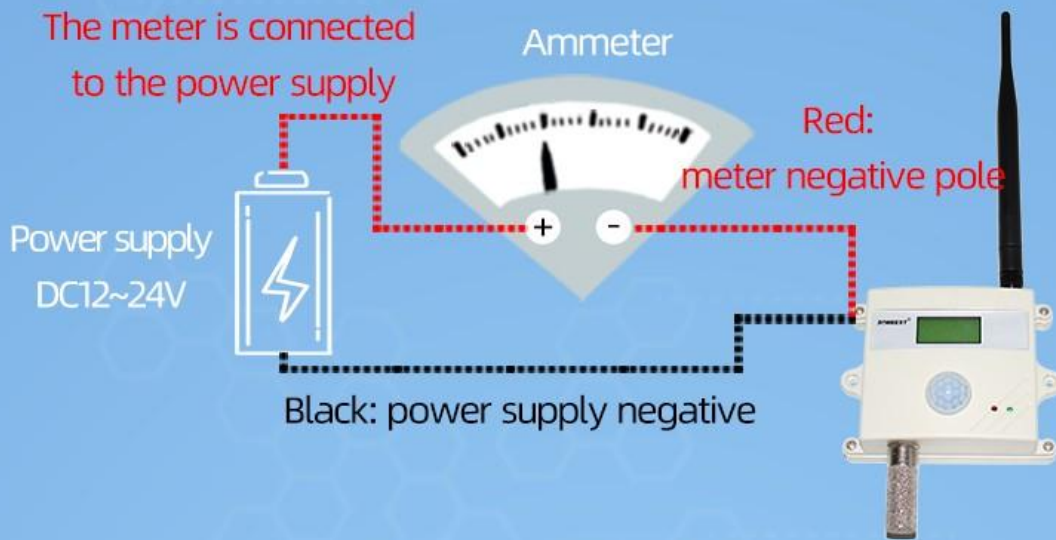


APPLICATION SCENARIO

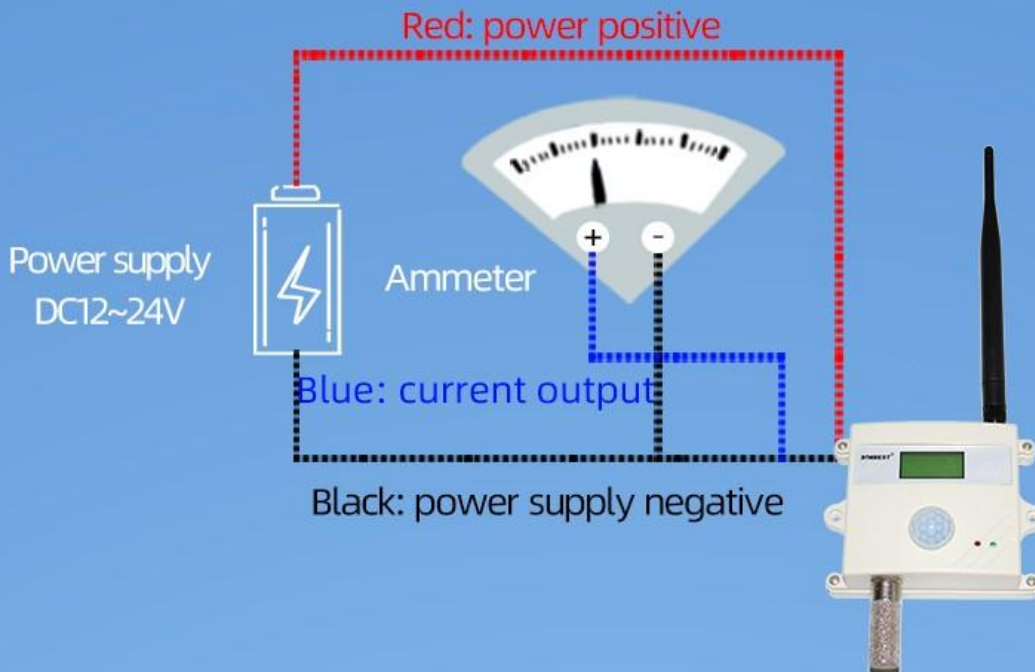
■ RS485 Connection mode



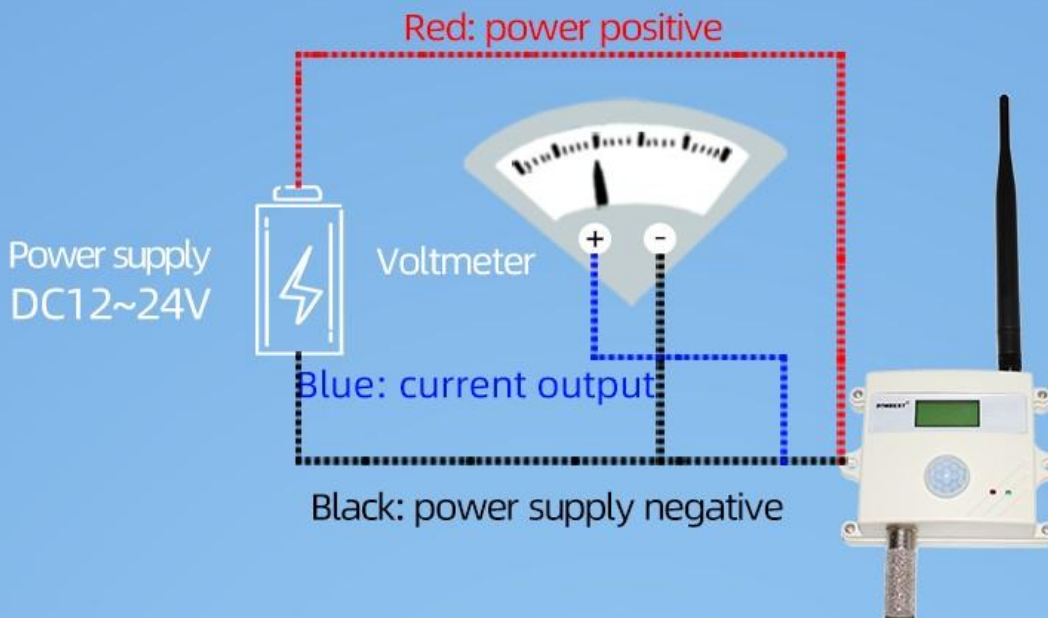
■ Current two-wire system wiring mode



■ Current three-wire connection mode



■ Voltage Connection mode



Product List



Wireless wifi illuminance,
Temperature and humidity integrated sensor



Reminder card



Certificate

Communication Protocol Disclaimer

This document provides all information about the product, does not grant any license to intellectual property, does not express or imply, and prohibits any other means of granting any intellectual property rights, such as the statement of sales terms and conditions of this product, other issues. No liability is assumed. Furthermore, our company makes no warranties, express or implied, regarding the sale and use of this product, including the suitability for the specific use of the product, the marketability or the infringement liability for any patent, copyright or other intellectual property rights, etc. Product specifications and product descriptions may be modified at any time without notice.

Contact Us

Company: Shanghai Sonbest Industrial Co., Ltd

Address: Building 8, No.215 North east road, Baoshan District, Shanghai, China

Web: <http://www.sonbest.com>

Web: <http://www.sonbus.com>

SKYPE: soobuu

Email: sale@sonbest.com

Tel: 86-021-51083595 / 66862055 / 66862075 / 66861077