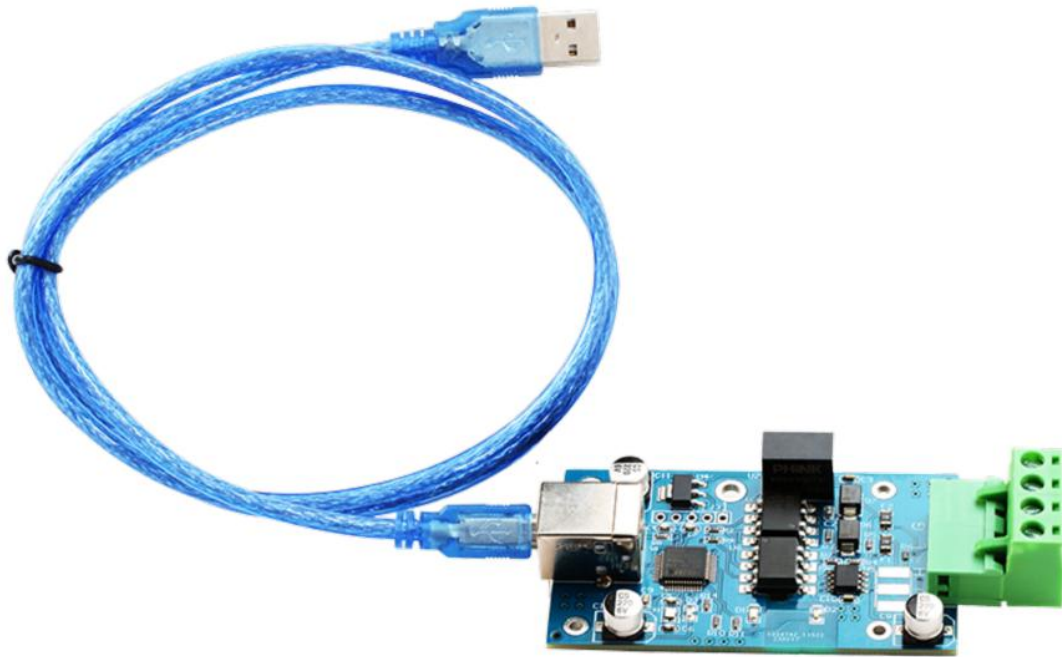


YG816P

CANable 2.0 isolated CAN module

User Manual

File Version: V23.3.20

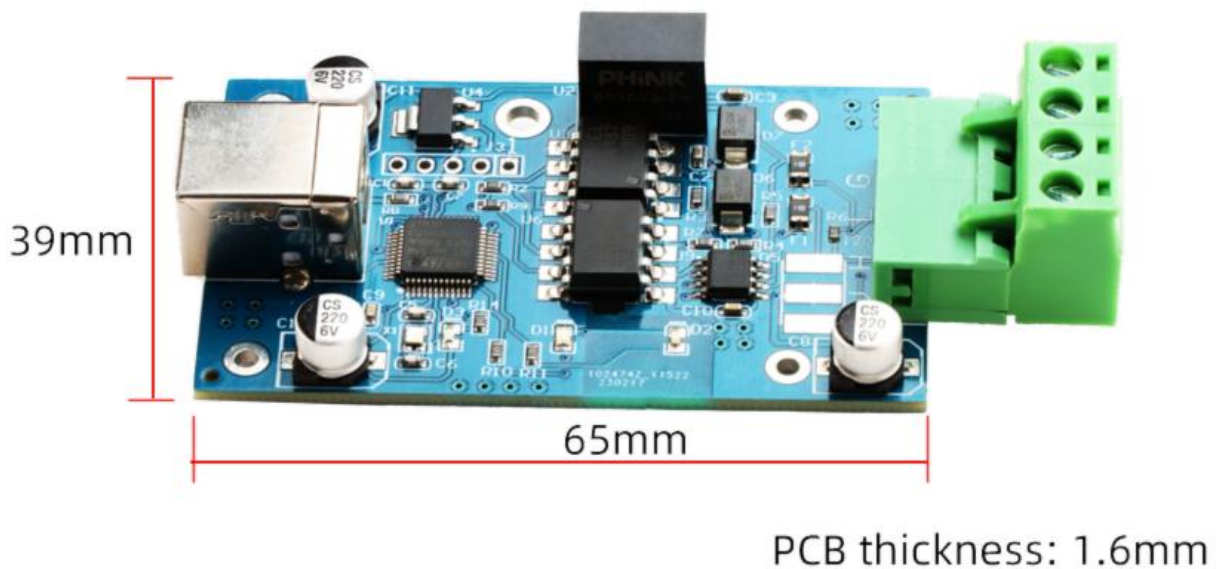


YG816P using the standard USB, easy access to PLC, DCS and other instruments or systems for monitoring CAN1 state quantities. The internal use of high-precision sensing core and related devices to ensure high reliability and excellent long-term stability, can be customized RS232, RS485, CAN, 4-20mA, DC0~5V/10V, ZIGBEE, Lora, WIFI, GPRS and other output methods.

Technical Parameters

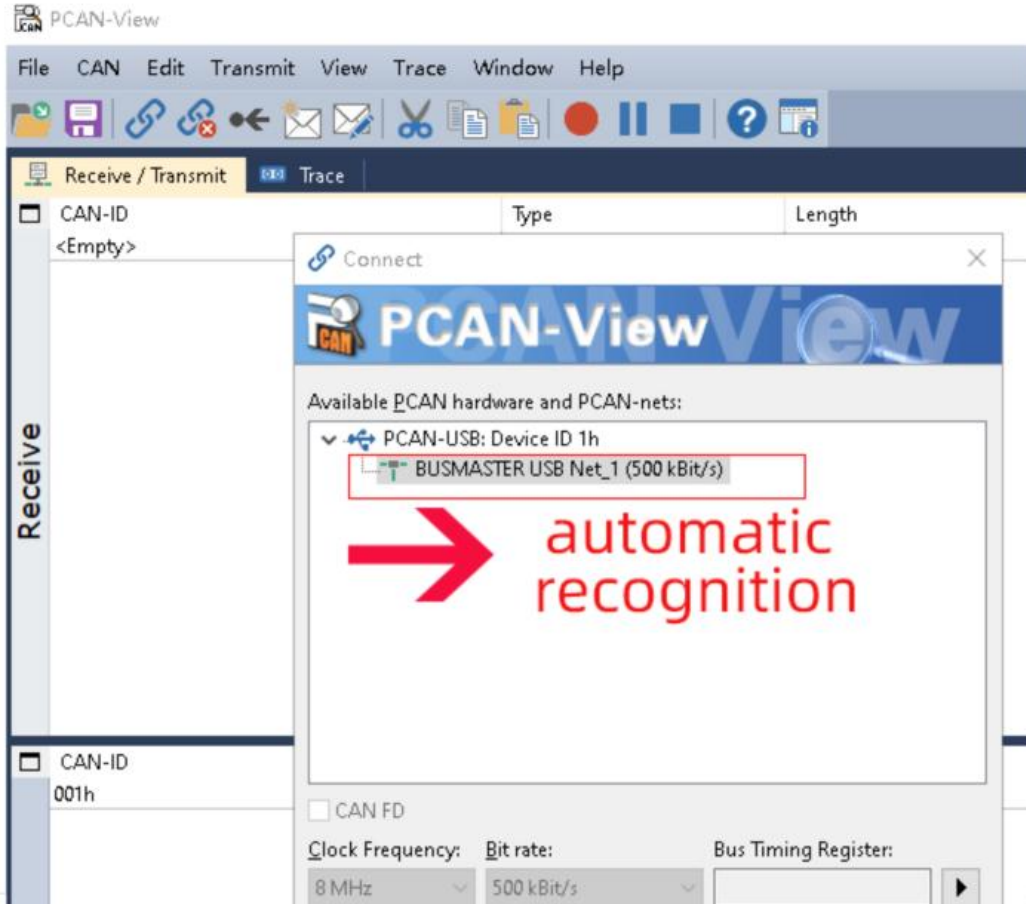
Technical parameter	Parameter value
Input Interface	CAN BUS
Default Rate	250kbps
Communication Interface	USB
Default baud rate	9600 8 n 1
Power	DC5V 1A
Running temperature	-30~85°C
Working humidity	5%RH~90%RH

Product Size



software to test

PCAN-VIEW



TSMASTERY hardware identification in 3 steps

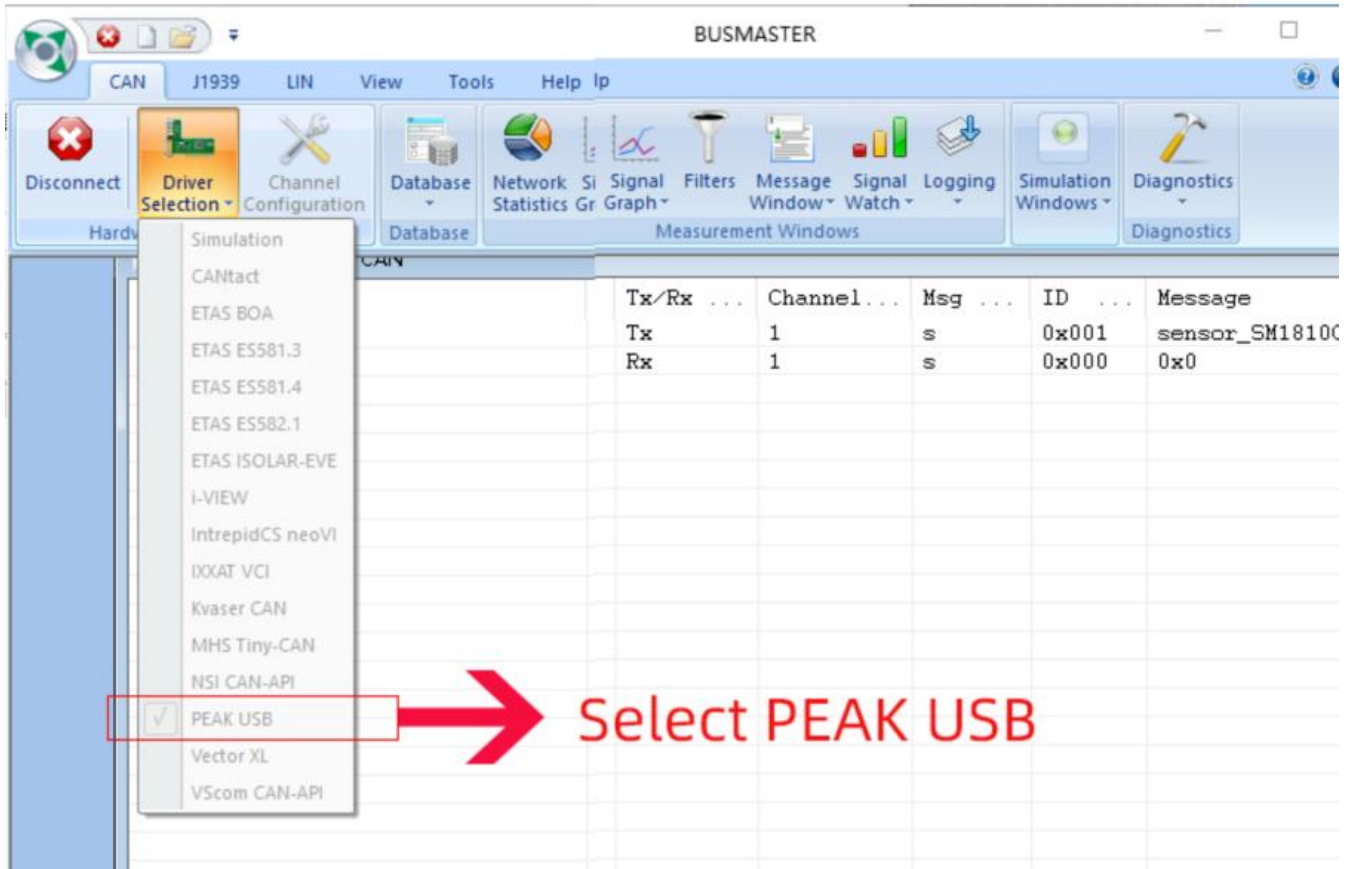
The screenshot displays the TSMaster v2023.2.6.818.0 software interface. The top menu bar includes '分析', '硬件', '仿真', '应用', '工程', '工具', and '帮助'. The '硬件' (Hardware) menu is active, showing options for '通道选择', '总线硬件', '通道映射', and '选择厂商'. A red arrow labeled '1' points to the '选择厂商' (Select Manufacturer) button, with the text 'Select manufacturer: PEAK' next to it.

Below the menu, the 'TSMaster 不同厂商设备检测设置' (TSMaster Device Detection Settings for Different Manufacturers) window is open. It features radio buttons for '勾选所有' (selected), '勾选默认' (deselected), and a '视频教程 (中文)' (Video Tutorial) link. A note states: '请选择在设备检测过程中需要扫描的设备，双击厂商条目可自动打开对应驱动力的下载链接地址（同星硬件无需安装驱动） TOSUN 将会尽可能添加对不同品牌硬件厂商的支持'.

A list of manufacturers is shown with checkboxes: TOSUN (unchecked), VECTOR (unchecked), PEAK (checked), and KVASER (unchecked). A red box highlights the URL for TOSUN. A red arrow labeled '2' points to the PEAK entry. To the right, a '硬件配置' (Hardware Configuration) panel is visible, showing '应用程序通道' (Application Channel), '总线通道配置' (Bus Channel Configuration), and 'CAN CAN 1' (selected).

A red arrow labeled '3' points to the 'CAN CAN 1' option, with the text '3 Hardware configuration selection CAN1' next to it.

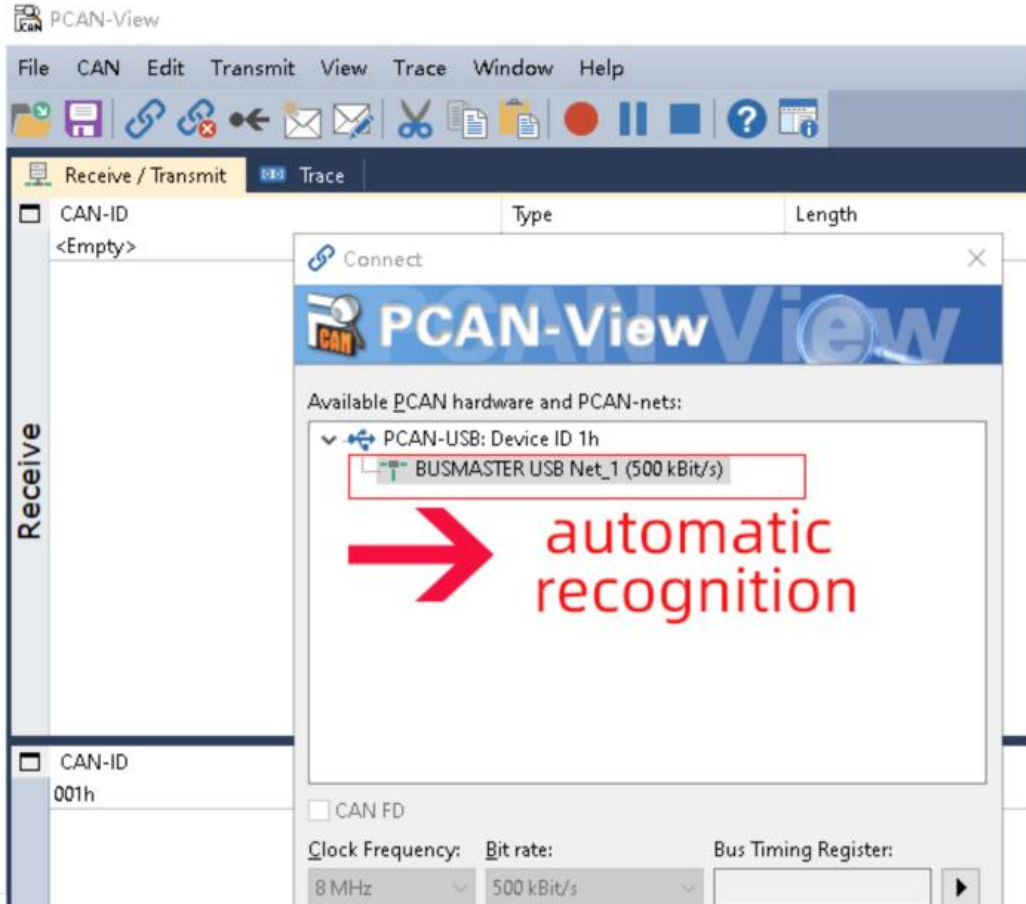
Support BUSMASTER software



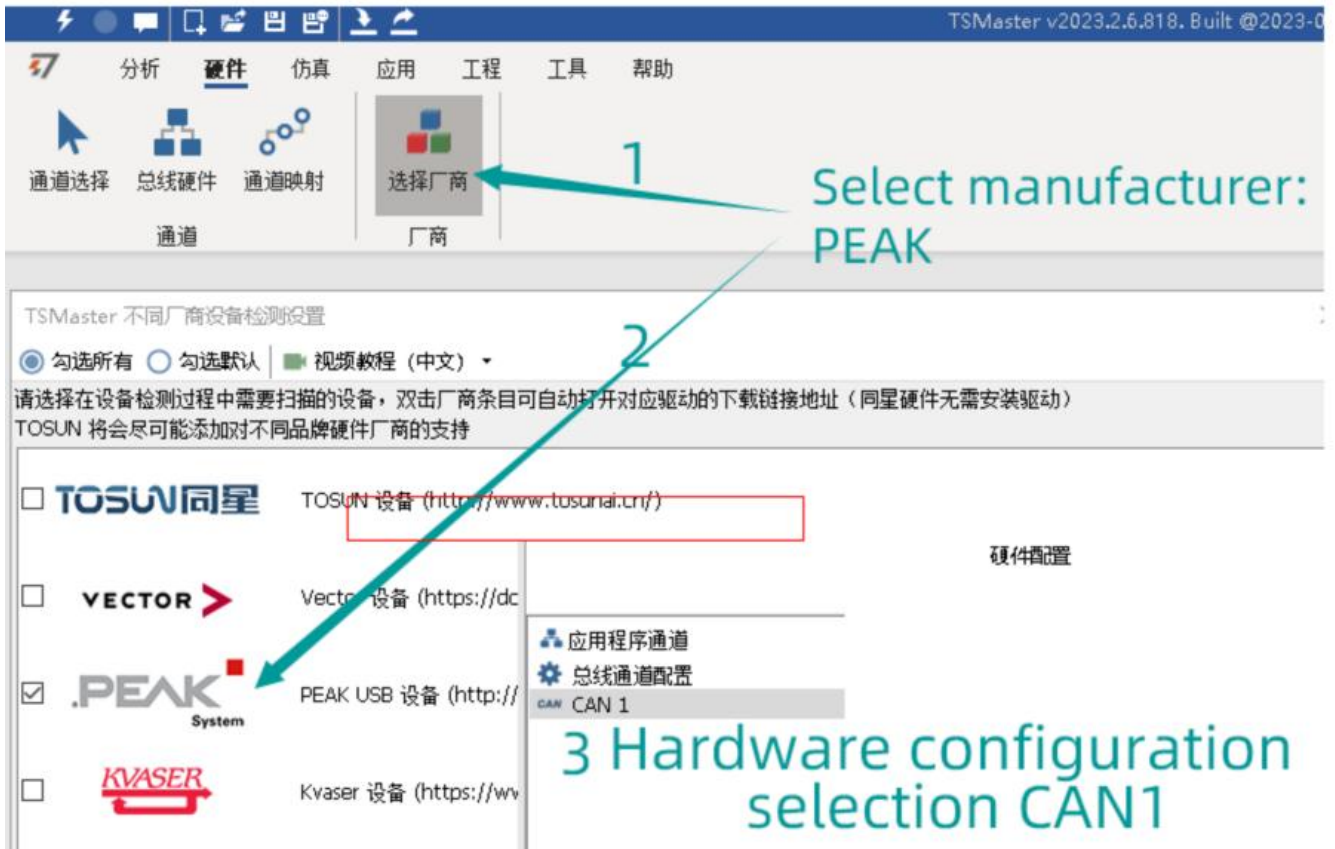
In the case of broken wires, wire the wires as shown in the figure. If the product itself has no leads, the core color is for reference.

How to use software?

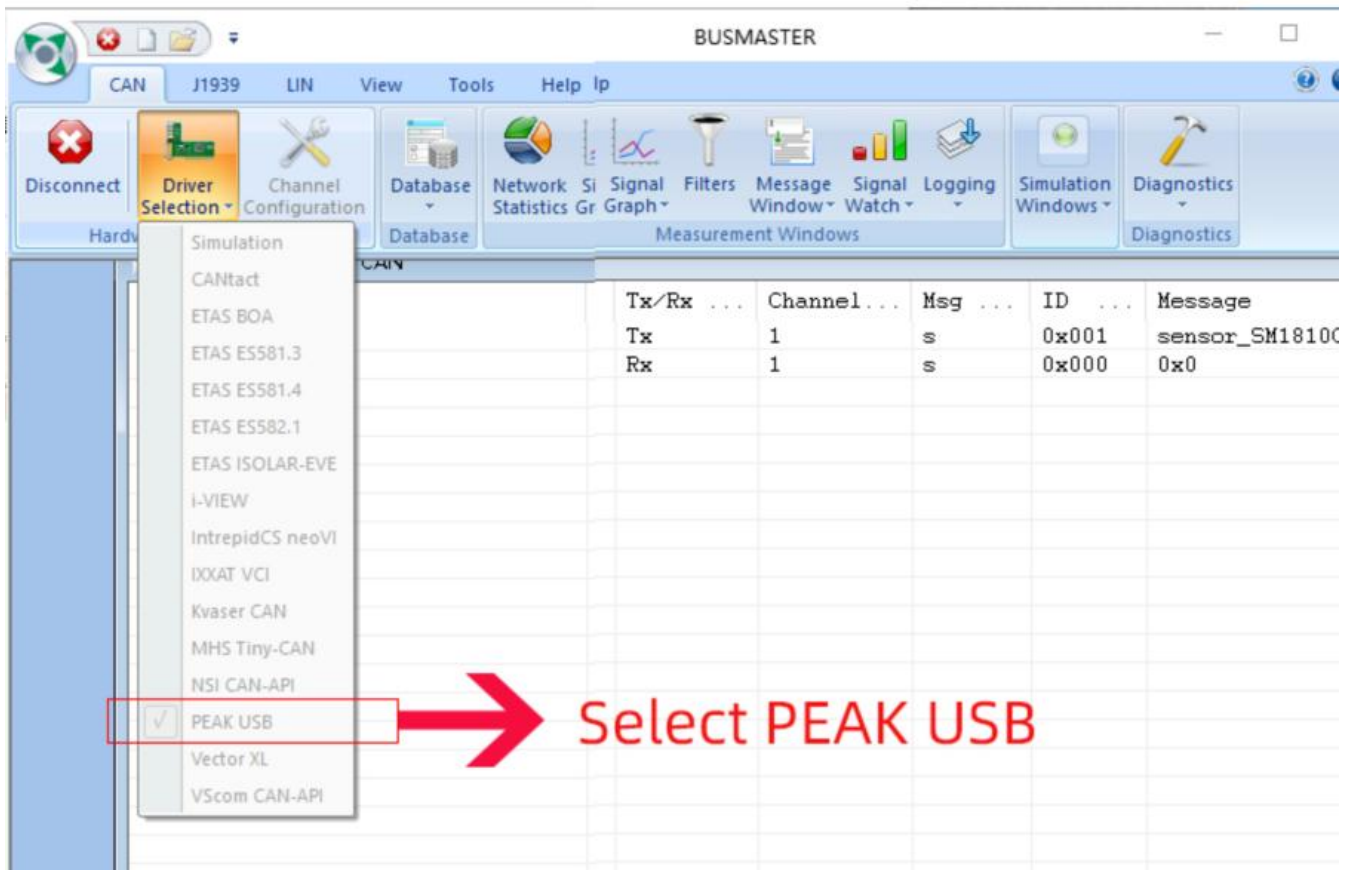
PCAN-VIEW



TSMASTERY hardware identification in 3 steps

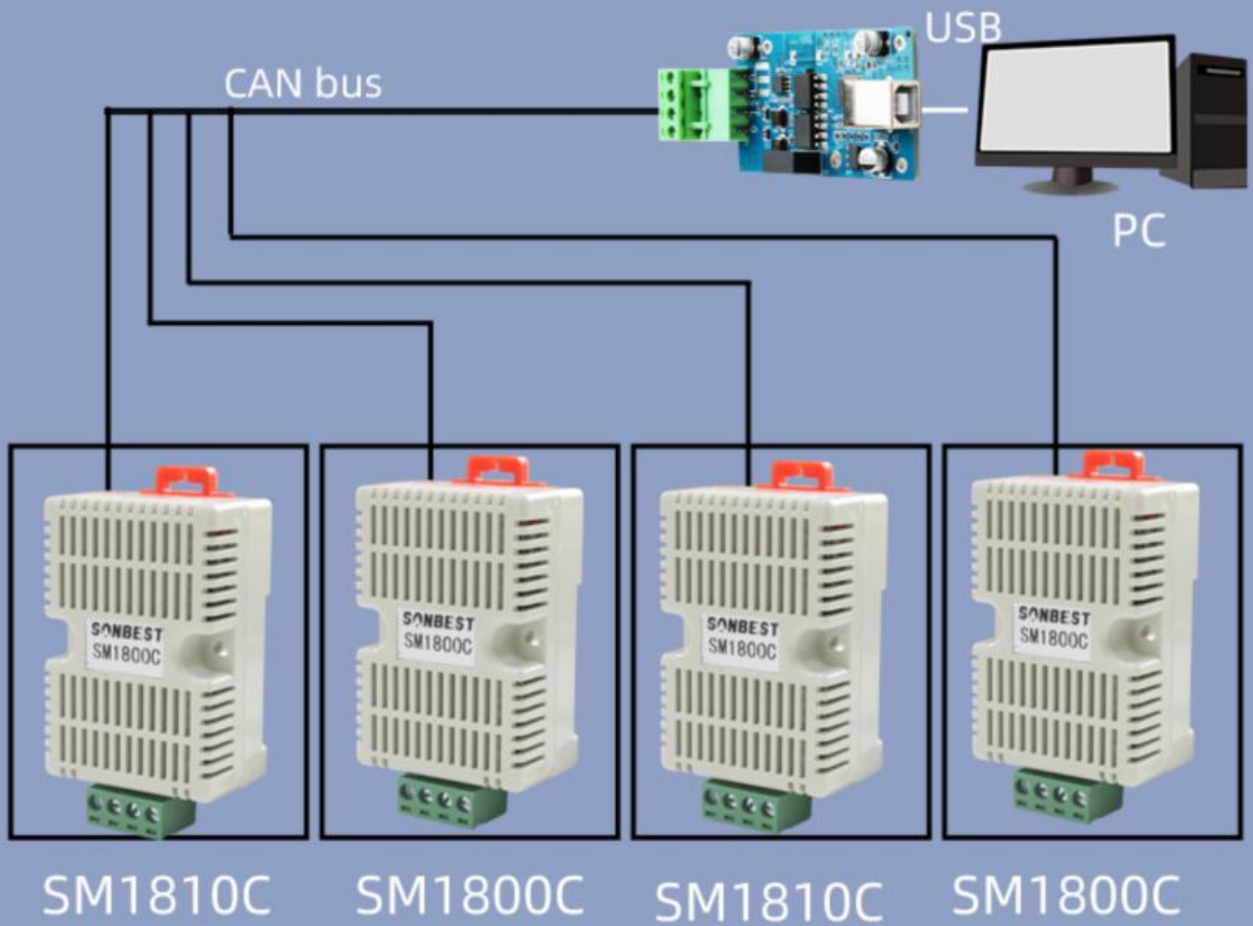


Support BUSMASTER software

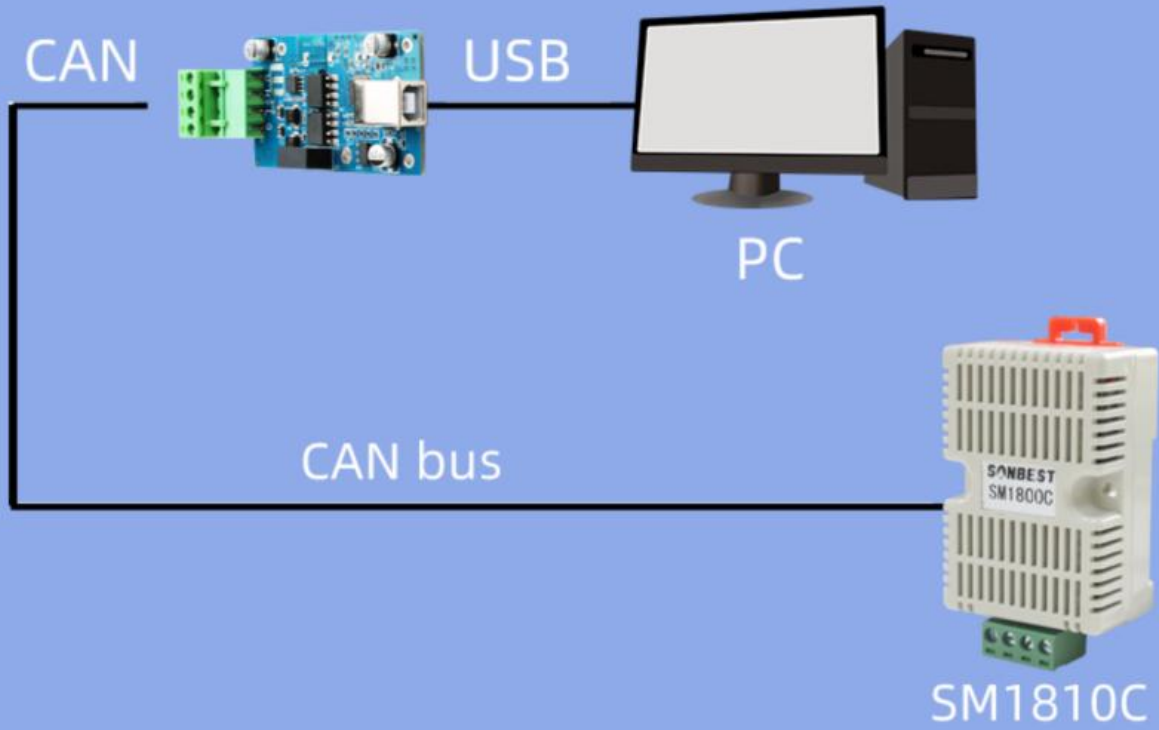


Application solution

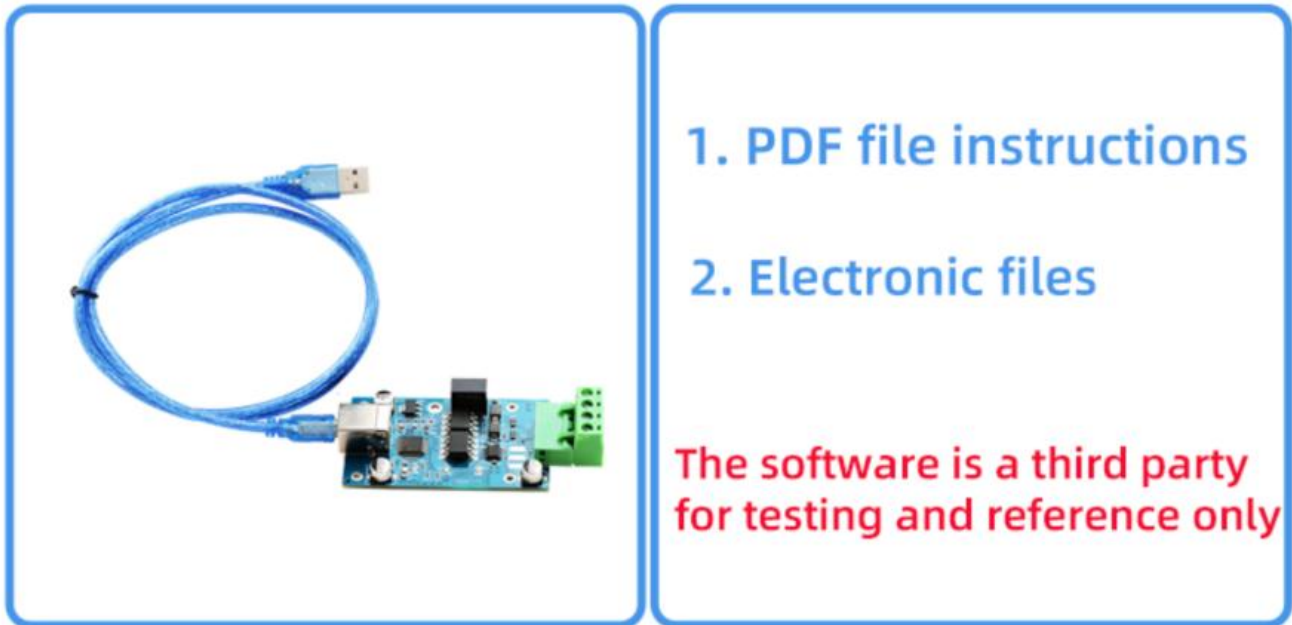
■ Networking application scheme



■ Stand-alone application scheme



Product List



Disclaimer

This document provides all information about the product, does not grant any license to intellectual property, does not express or imply, and prohibits any other means of granting any intellectual property rights, such as the statement of sales terms and conditions of this product, other issues. No liability is assumed. Furthermore, our company makes no warranties, express or implied, regarding the sale and use of this product, including the suitability for the specific use of the product, the marketability or the infringement liability for any patent, copyright or other intellectual property rights, etc. Product specifications and product descriptions may be modified at any time without notice.

Contact Us

Company: Shanghai Sonbest Industrial Co., Ltd INTOIOT Brand Division

Address: Building 8, No.215 North east road, Baoshan District, Shanghai, China

Web: <http://www.intoiot.cn>

Web: <http://www.intoiot.com>

SKYPE: soobuu

Email: sale@sonbest.com

Tel: 86-021-51083595 / 66862055 / 66862075 / 66861077